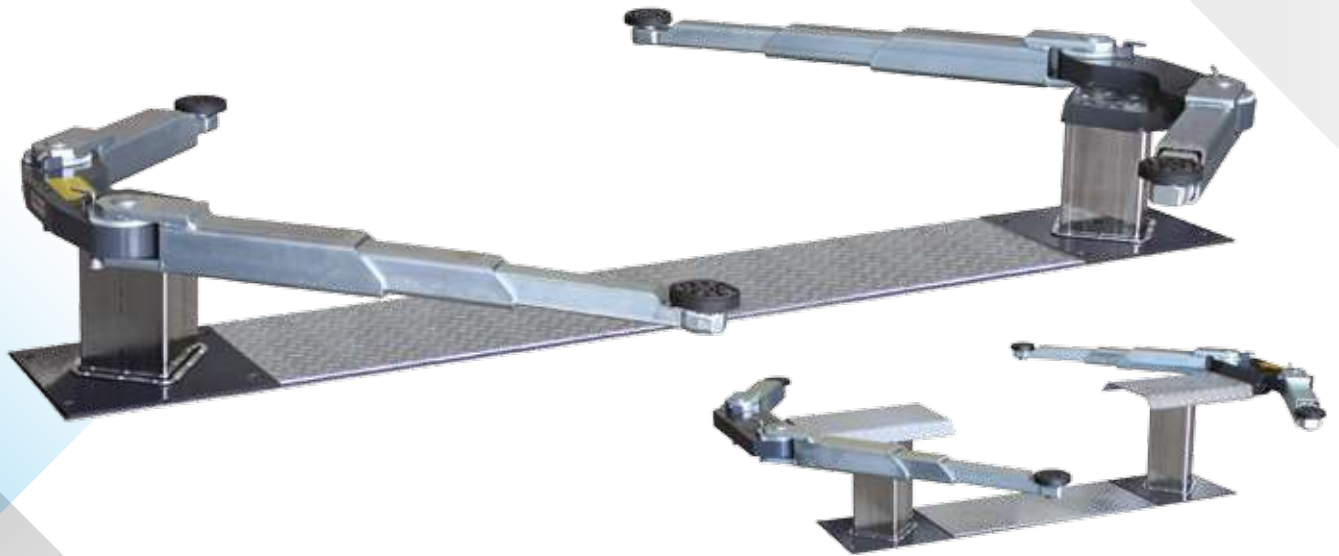


# TWO-POST LIFT WITH 3.5 T SWING ARM SUPPORTS

MODEL: ZS SQUARE II 3.5 SG (VP 252237) | ZS SQUARE II 3.5 S (VP 252238) | ZS 94 MEDIUM-PRESSURE LIFTING UNITS



Version with a cylinder distance of 1350 mm VZ972470

- ♦ Swing arm lift with continuously extendable support arms
- ♦ Support disc is height adjustable using a thread and plug-in system
- ♦ Support arm restraint is automatically self-releasing at ground level

Load capacity	3500 kg
Max. lifting height	2006 mm
Raising/lowering time, dependent on load approximately	30/20 s
Cylinder distance	2500 / 2300 / 1350 mm
Swing arm extension range	560 – 1140 mm
Adjustable support disc	75 – 106 +50 mm
Drive-over height	77 / 89 / 101 mm
Crunch and pinch point protection	CE stop, audible signal
Power unit kW / V / A	3 / 400 / 16

- 1 Easy movement of the lift through the 270° swing range of the support arms
- 2 Support arm restraint can be operated from above
- 3 Continuously extendable, triple-telescopic support arms



The support disc of the swing arm can be positioned very accurately at the appropriate lifting points under the vehicle.

## Flexible support disc systems



Fine adjustment of the support disc in the 25 mm area thanks to small thread pitch



Support disc height extenders, 50 mm (VZ 971220) or 100 mm (VZ 971221)



Support disc height extenders, 150 mm (VZ 971222) or 200 mm (VZ 971223)



High flexibility and safety using the MAHA support disc plug-in system (standard)



For lifting round and V-shaped vehicles (VZ 971226)



Mandrel for lifting vehicles using the drill holes in the vehicle frame (VZ 975601)



Frame slipping protection for positioning on rubber support discs (VZ 975050)



Vehicle support for G-class no treadplate (VZ 971227)



Vehicle support for G-class with treadplate (VZ 971520)

## Rims protected during vehicle entry

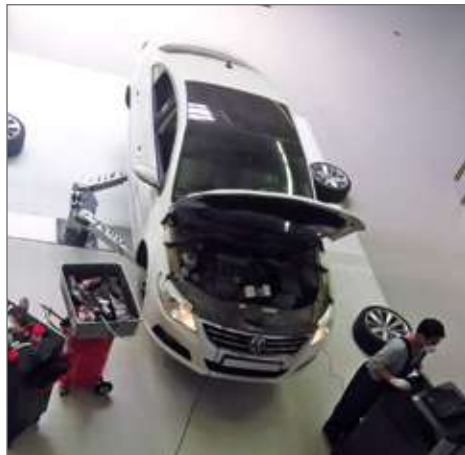
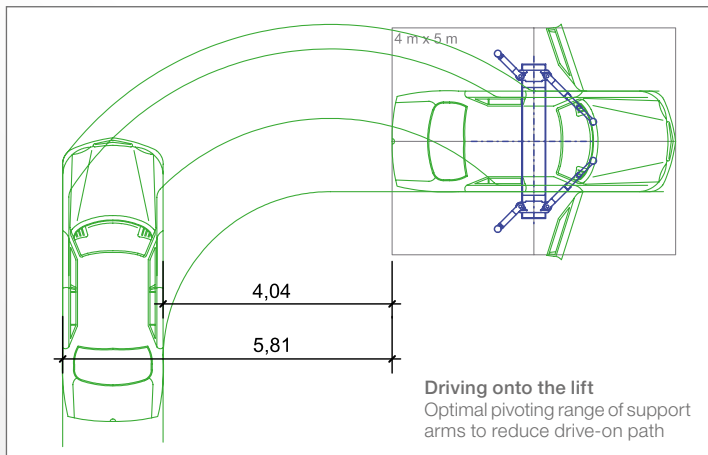


No release, for a cylinder spacing of 2500 mm



100 mm released

## Working on the lift



Maximum use of space and complete door freedom let you work effectively on the vehicle.