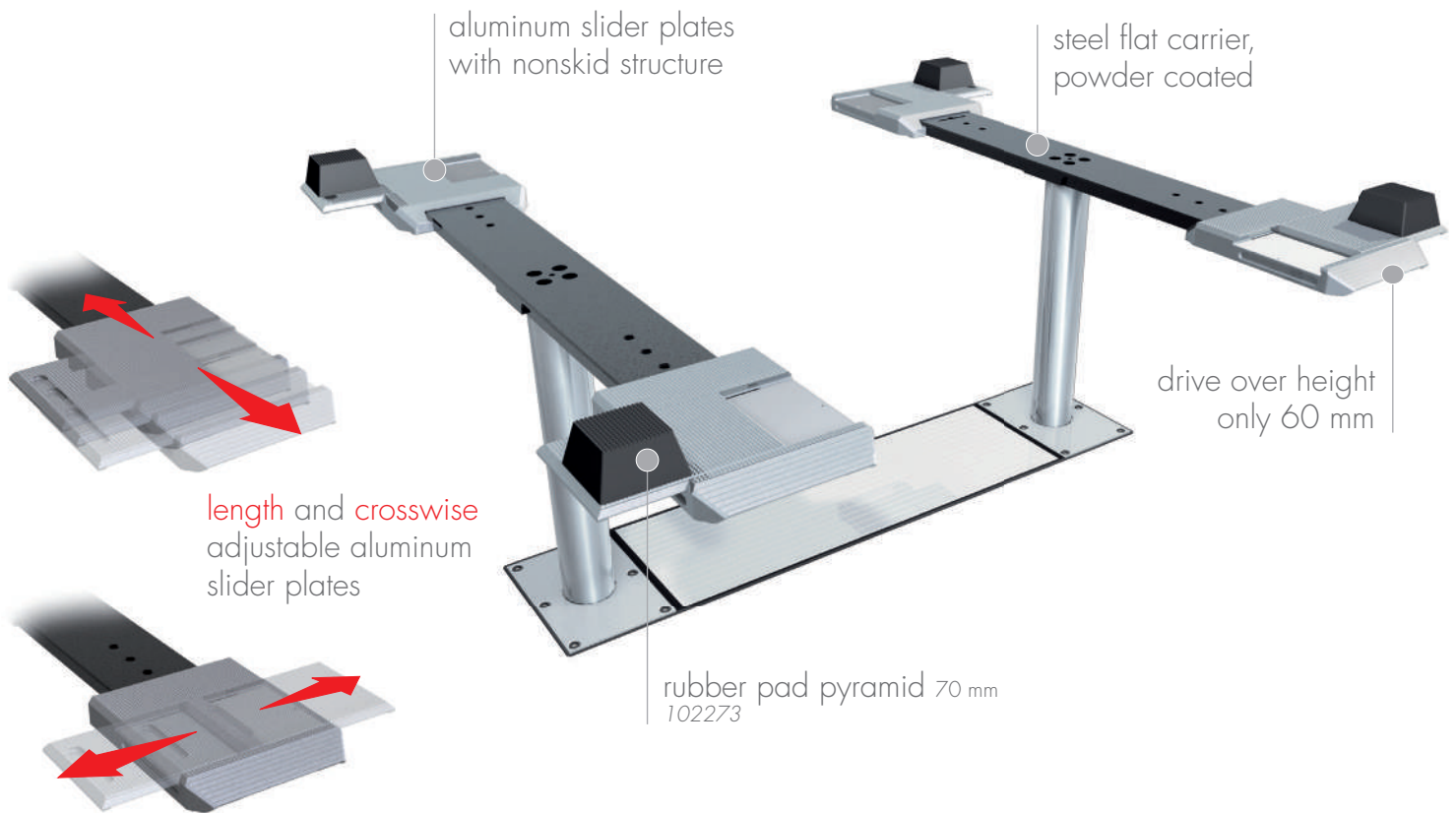




# Uni 2.35 plus-1500

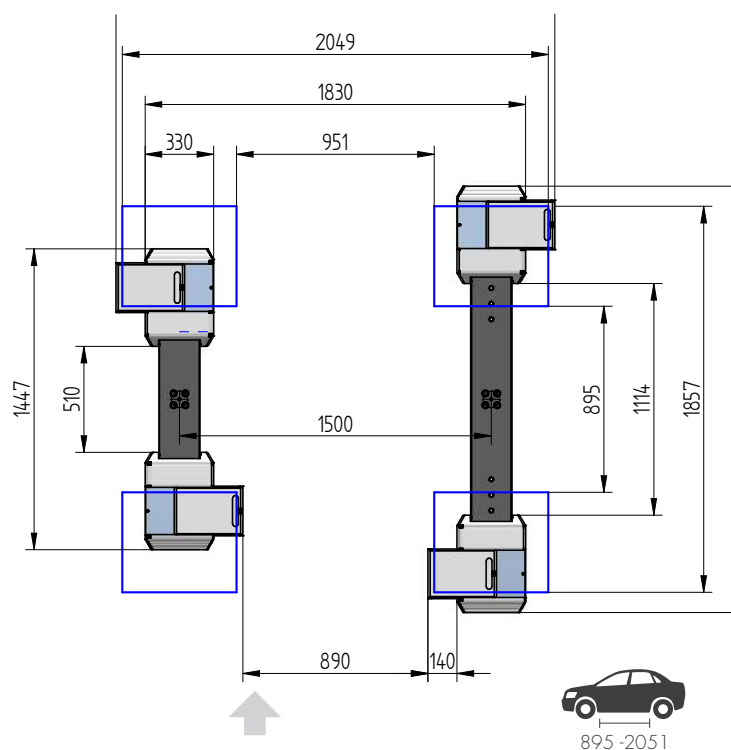


## TECHNICAL DATA

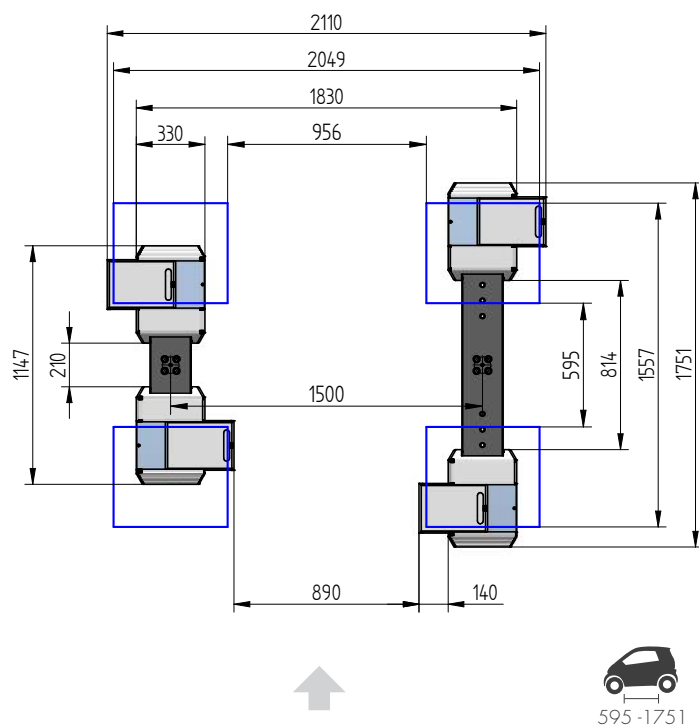
capacity	3500 kg
effective raise height	2023 mm
drive over height	60 mm
piston diameter	123 mm
piston distance	1500 mm
installation depth	2408 mm
motor output	3,0 kW
power connector	400 V/16 A
cable length to control	11 m
lifting time	≈ 35 sec.
lowering time	≈ 35 sec.

Support Uni 2.35 plus	102640
Support Uni 2.35 plus mini	102646
Support Uni 2.35 plus midi	106128
Support Uni 2.35 plus maxi	102642
Installation cassette STEEL 1500 mm	2260XX
Installation cassette STEEL 1500 mm galvanized	2261XX
Lifting unit oil 3,5 t 1500 mm - K pre-assembled in installation cassette	108969
Lifting unit oil 3,5 t 1500 mm - H packed in wooden box	108970

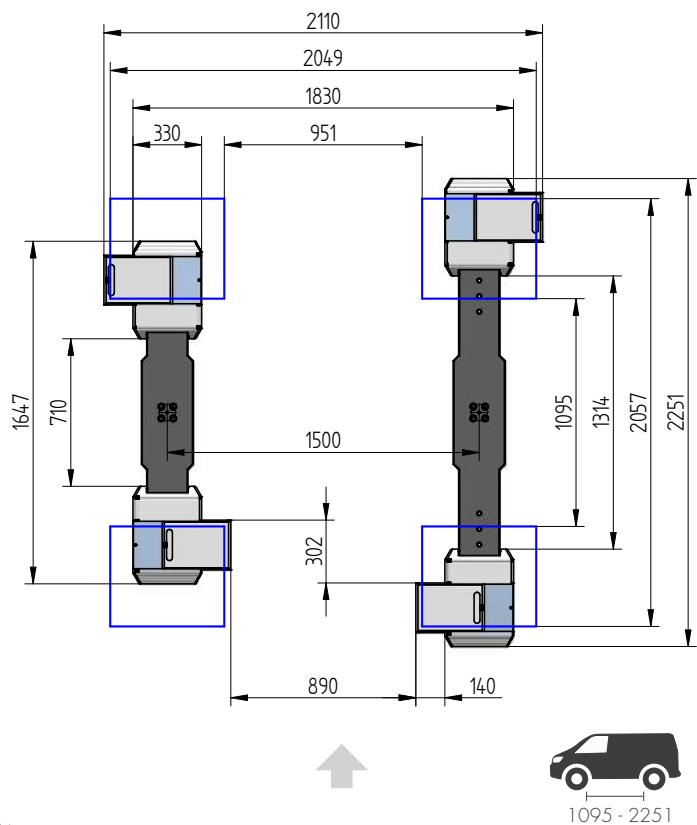
# Uni 2.35 plus-1500



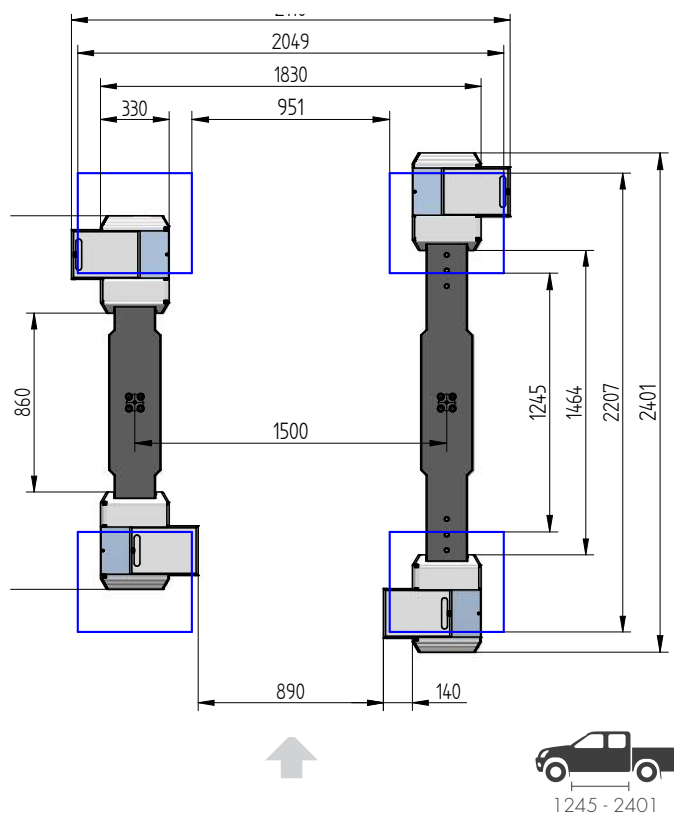
# Uni 2.35 plus mini-1500

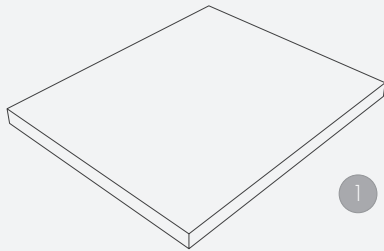


# Uni 2.35 plus midi-1500

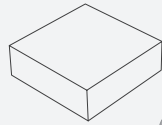


# Uni 2.35 plus maxi-1500

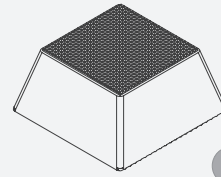




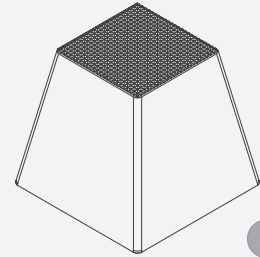
1 Rubber pad  
290 x 335 x 20 mm  
102275 (1set / 4 pcs.)



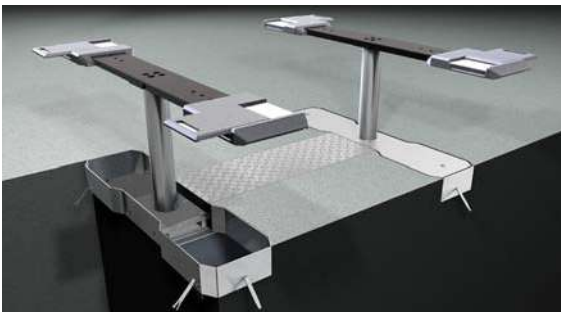
2 Rubber pad  
120 x 120 x 40 mm  
102274 (1set / 4 pcs.)



3 Rubber pad pyramid  
70 mm  
102273 (1set / 4 pcs.)

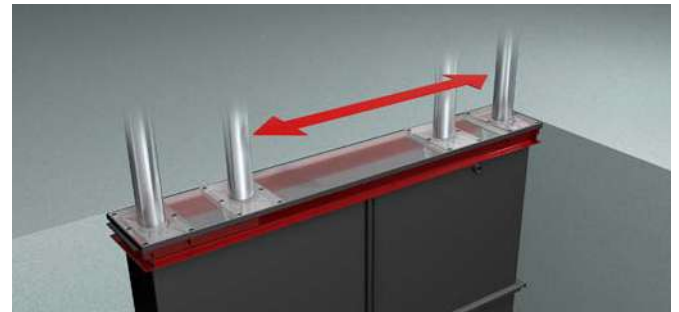


4 Rubber pad pyramid  
140 mm  
102291 (1set / 4 pcs.)



Surround frame hot-dip galvanized,  
uni lift pd 1500 mm  
107234

Autom. floor levelling system  
incl. surround frame  
uni lift pd 1500 mm  
107236



Future Proof installation cassette

Steel 2285 mm,  
drilling 2285/1785/1500  
2220XX

Steel galvanized 2285 mm,  
drilling 2285/1785/1500  
2221XX

Steel 2685 mm,  
drilling 2685/1785/1500  
2620XX

Steel galvanized 2685 mm,  
drilling 2685/1785/1500  
2621XX

**Herrmann AG**  
Bahnhofstrasse 32  
D-93483 Pöding

**Sales**

Phone: +49 (0)9461/91388 50  
Fax: +49 (0)9461/91388 33  
E-Mail: [sales@herrmann.de](mailto:sales@herrmann.de)

**Service**

Phone: +49 (0)9461/91388 31  
Fax: +49 (0)9461/91388 33  
E-Mail: [service@herrmann.de](mailto:service@herrmann.de)

[www.herrmann.de](http://www.herrmann.de)