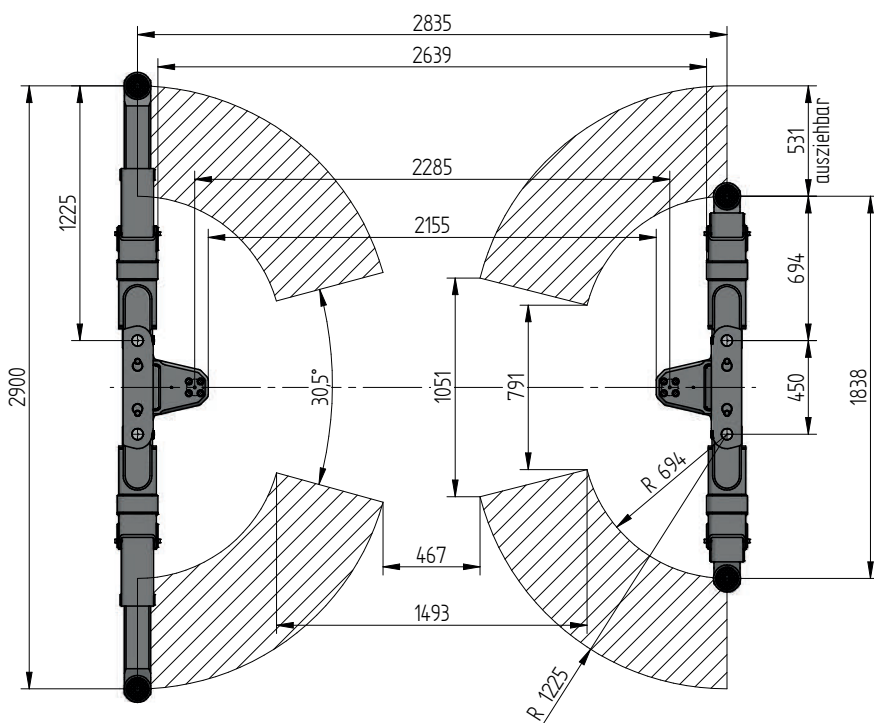


Swingarm 2.35



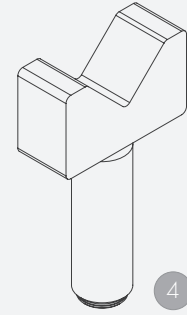
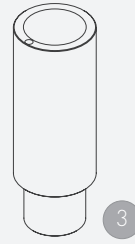
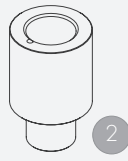
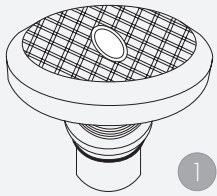
TECHNICAL DATA

capacity	3500 kg
effective raise height	2048 mm
move in height	90 mm
piston diameter	123 mm
piston distance	2285 mm
installation depth	2408 mm
motor output	3,0 kW
power connector	400 V/16 A
cable length to control	11 m
lifting time	≈ 35 sec.
lowering time	≈ 35 sec.

Support Swingarm 2.35	109229
Installation cassette STEEL 2285 mm	2020XX
Installation cassette STEEL 2285 mm galvanized	2021XX
Lifting unit oil 3,5 l 2285 mm - K pre-assembled in installation cassette	109966
Lifting unit oil 3,5 l 2285 mm - H packed in wooden box	109978



Accessories

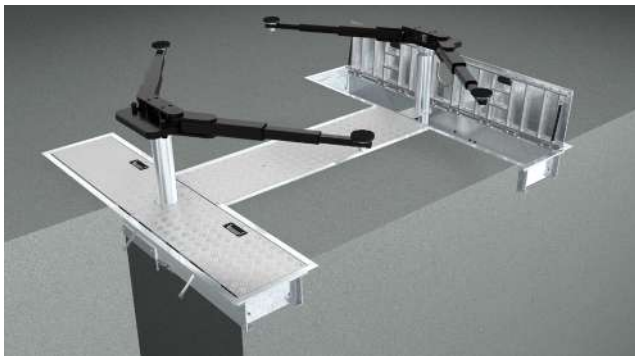


1 Stacking adapter
d123 x d 50
109682 (1set / 4 pcs.)

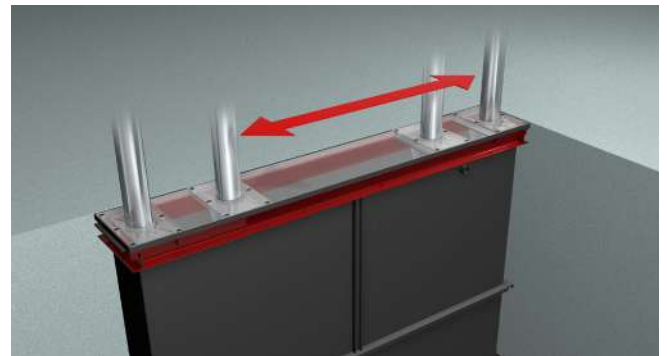
2 Stacking adapter extension
89 mm
109679 (1set / 4 pcs.)

3 Stacking adapter extension
127 mm
109680 (1set / 4 pcs.)

4 Stacking adapter V-Prism
d 50 / 87-130 mm
109683 (1set / 2 pcs.)



Surround frame
hot-dip galvanized,
swivel arm lift pd 2285 mm
102430



Future Proof installation cassette

Steel 2285 mm,
drilling 2285/1785/1500
2220XX

Steel galvanized 2285 mm,
drilling 2285/1785/1500
2221XX

Steel 2685 mm,
drilling 2685/1785/1500
2620XX

Steel galvanized 2685 mm,
drilling 2685/1785/1500
2621XX

Herrmann AG
Bahnhofstrasse 32
D-93483 Pöding

Sales

Phone: +49 (0)9461/91388 50
Fax: +49 (0)9461/91388 33
E-Mail: sales@herrmann.de

Service

Phone: +49 (0)9461/91388 31
Fax: +49 (0)9461/91388 33
E-Mail: service@herrmann.de

www.herrmann.de