



**MR30**



100%  
made in  
ITALY



Electronic  
Pc board

Foot protection  
microswitch



## MID RISE

### Extra low profile Lift

Extra low rise electrohydraulic lift with min. travel 95mm and double platform. Platforms connected by double torsion beam for perfect synchronicity and levelling.

- Double redundant hydraulic circuit with 4 pistons, 2 on each platform
- Safety and shut-off valve on the hydraulic circuit for overload protection and hoses breaks
- Self-lubricating axle bearings on each rotating pin, maintenance free
- High-sliding and self-lubricating polyethylene sliding pads
- Lowering speed control with compensation valve
- “Hold to run” 24V Control
- Electric Micro Switch with “foot guard” device and acoustic signal, to protect the last lowering travel
- Suitable for both surface mounted and recessed , even under difficult conditions in case of not available deep pits.



# MR30



Technological Innovation and Technical Support



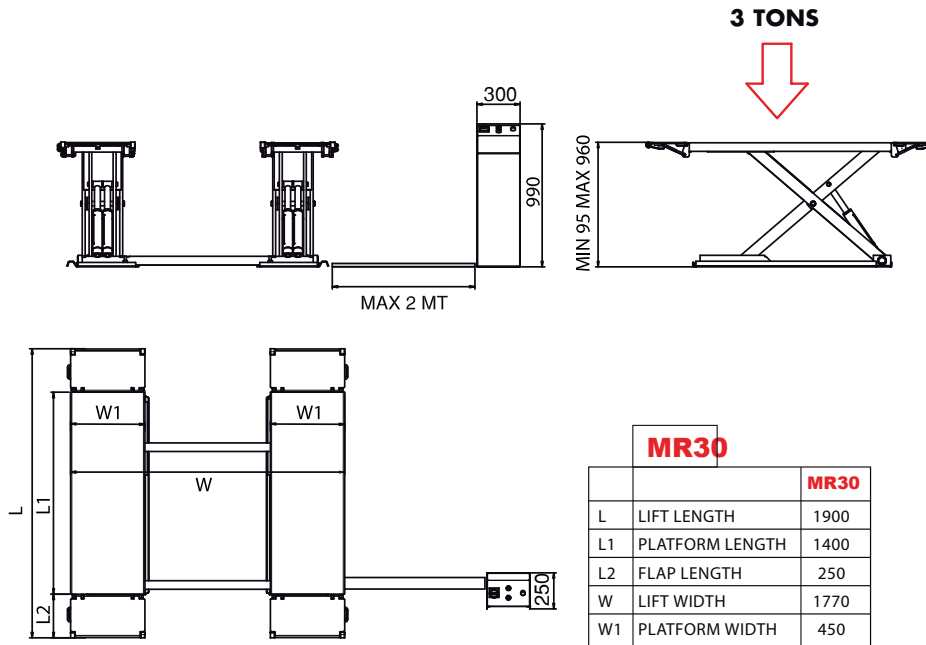
Private Label Production or Color Customization



TUV and CE Certifications, Warranty



Customer Care, Pre-sale and after sales assistance



## Technical data

- Electro-hydraulic Control Unit in metal structure (without plastic parts)
- Capacity 3000 kg
- Power Unit Kw 1,1 400V 3Ph 50Hz
- Total Weight 500kg
- Lifting height min. 95mm max. 960 mm
- Up-Down Travel speed 20/20sec
- Equipped with 4 flap run-up ramps
- Hoses covered with anti-blastsheath

## Optional

- Rubber pads 40mm
- Rubber pads 60mm
- Additional run-up ramps for racing/super sport vehicles
- Kit for built-in central cover
- Kit for recessed frame
- Kit for built-in slides for horizontal standing ramps position
- Hose extension
- Additional cross bars for vehicles
- Single-Phasemotor
- Basement and-or platform hot deep galvanized
- Ral colors on request