

4-POST LIFT

ELECTRO-HYDRAULIC

The electro-hydraulic 4-post lifts of the SM series are available in numerous variants.

SM55-LT51, 5.5 t, with adjustable beaming jack 5.100 mm length

SM65-51, 6.5 t, level track 5.100 mm long

SM65-55, 6.5 t, level track 5.500 mm long

- + Wide, stable tracks
- + Precise wheel alignment kit, optionally available
- + Suitable for all cars and vans with long wheelbase

All 4-post lifts are equipped with a pneumatically lockable lowering device.

The up, down and lowering functions on the lowering device can be conveniently controlled via operating keys.

Protected from external influences, the maintenance-free lifting cylinder is positioned under the running surface.

The quiet powerful hydraulic unit ensures powerful lifting and short lifting and lowering times.

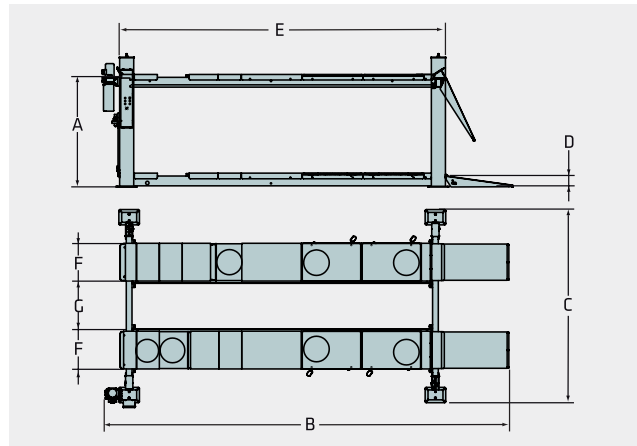
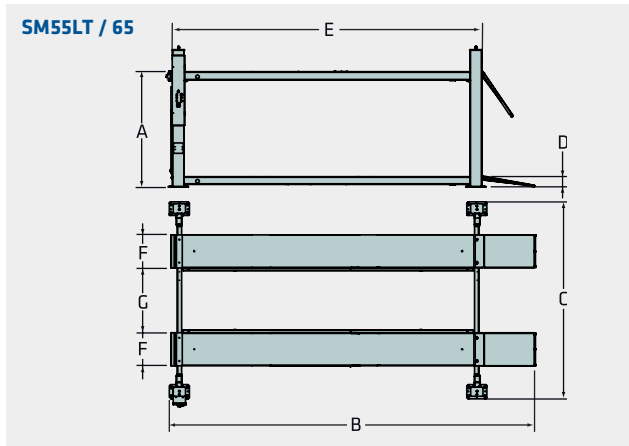
Wide tracks allow safe and comfortable driving on from small cars to vans or SUVs without having to change the track width of the track.

SM65-51 with optional wheel alignment kit and optional ramp extension kit.

HIGHLIGHTS IN DETAIL

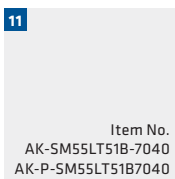
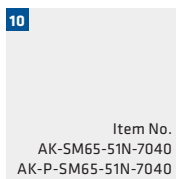
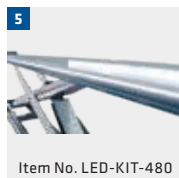
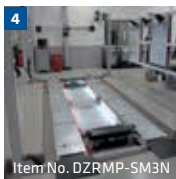
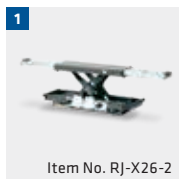


- 1** The cold-formed running surface profile offers high rigidity.
- 2** Rails integrated in the running surface allow all commercially available beaming jacks to be accommodated.
- 3** A wheel alignment kit (AK) with sliding plates is available especially for precise wheel alignment activities.
- 4** Integrated recesses in the drive-on surface allow all standard rotary tables to be fitted. If no rotary plate is used, the recesses can be closed completely with the included filling parts.
- 5** Adjustable ratchet bars in the lifting posts allow an absolutely horizontal alignment of the lift - important for precise work when used as a wheel alignment lift. This guarantees precise wheel alignment and a high degree of workplace safety.
- 6** Models with jacking beam (LT) have a stepless extension for extending the jacking beam.



Model	SM55LT-51	SM65-51	SM65-55
Load capacity	5.500 kg	6.500 kg	6.500 kg
A Lifting height	1.990 mm	1.990 mm	1.990 mm
Lifting height with AK kit	2.065 mm	2.040 mm	2.040 mm
B Total length / with ramp extension	6530/7.024 mm	6.482/7.024 mm	6.930/7.424 mm
C Overall width	3.522 mm	3.522 mm	3.522 mm
D Drive-on / Clearance hight	202 mm	202 mm	202 mm
Drive-on / Clearance hight with AK kit	277 mm	252 mm	252 mm
E Track length	5.100 mm	5.100 mm	5.500 mm
F Track width	650 mm	650 mm	650 mm
G Track distance	900 mm	900 mm	900 mm
Passage width	2.986 mm	2.986 mm	2.986 mm
Wheelbases wheel alignment	1.920-4.124 mm	1.500-4.130 mm	1.500-4.530 mm
Drive power	4 kW	4 kW	4 kW
Drive voltage (electrical)	400 V, 50 Hz	400 V, 50 Hz	400 V, 50 Hz
Compressed air supply	8-10 bar	8-10 bar	8-10 bar
Lifting time	45 sec.	45 sec.	45 sec.

ACCESSORIES



- 1 Jacking Beam, Capacity 2.600 kg
- 2 Jacking Beam, Capacity 4.000 kg
- 3 Underfloor mounting kit for SM 65 without AK Kit, 4 short ramps
- 4 Underfloor mounting kit for SM 65 with wheel alignment kit (1 kit/4 pieces) consisting of 4 short ramps
- 5 Lighting kit, 4.800 mm, 4 LED units, 24 V
- 6 Additional drive-on ramps, 900 mm
- 7 Extension kit for drive-on ramp
- 8 Air supply kit for beaming jack
- 9 Wheel alignment kit Standard for SM65-55
- 10 Wheel alignment kit Premium for SM65-51
- 11 Wheel alignment kit Standard for SM55LT-51



Technical changes reserved. Data are considered advertisement.
 4-Post-Lift-SM55LT-5M65-BR-126516-en-2019-04