

2-POST LIFT

ELECTRO-HYDRAULIC

The electro-hydraulic 2-post lifts of the SPO65 series convince with an outstanding pick-up area, they are particularly suitable for van workplaces. There are 2 different post heights to choose from.

+ SPO series - the best-selling lift in the world
+ Maximum security with the Rotary 3PSS concept
+ Pick-up range from vans, emergency vehicles and motor homes

Flanged to the upper part of the lifting column, the unit is protected from external influences and allows more freedom of movement.

The upper safety switch-off effectively protects vehicles with a higher overall height from damage during lifting.

The electro-hydraulic design with only one unit ensures energy-saving operation with fast lifting and lowering times.

Rotary Hydraulic stands for maximum service-friendliness with minimum operating costs.

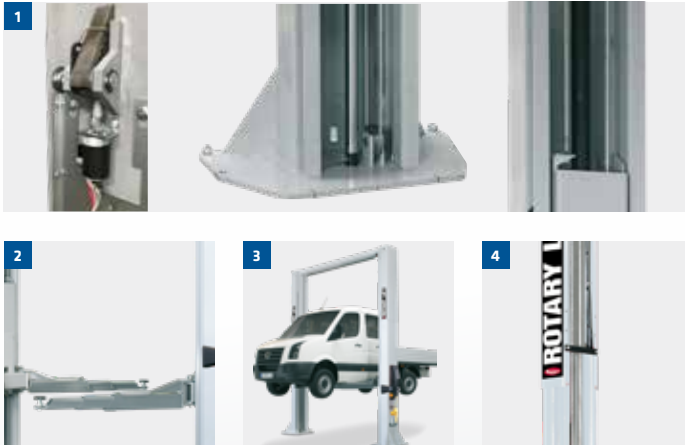
The support arms are automatically locked when lifting. Once the platform is completely lowered, this locking device is released automatically. The particularly fine grid and a manual unlocking function extend the ease of operation.

For a plus in ergonomics and economy, the 2nd control panel is standard on the SPO55. One control unit is equipped with a 220 V connection (fused with 16 ampere for electric hand tools) and the second with compressed air preparation.

The rotating plates are pluggable and can be extended or replaced with attachments in a stable and cost-effective manner..

Illustration shows SPO65E with optional accessories.

HIGHLIGHTS IN DETAIL



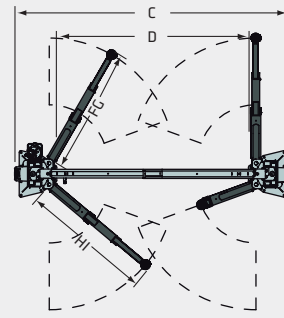
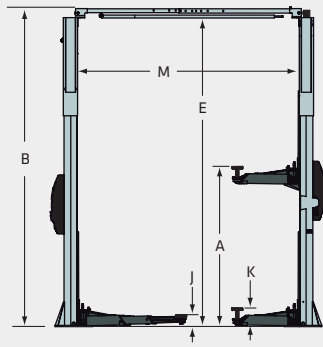
- 1** The 3PSS Concept (3 Phase Security System) includes:
- Mechanical safety latches integrated on both sides with automatic actuation
 - Load-free synchronization pulleys secure the load during the lifting and lowering process
 - Hydraulic system secured by non-return valve including maintenance-free high-pressure cylinder in both posts.

2 The particularly generously dimensioned support arms allow the safe pick-up of heavy transporters, emergency vehicles and motor homes.

3 The maximum drive-through width with minimum external dimensions and the construction without a base frame ensure problem-free access to the lifting platform.

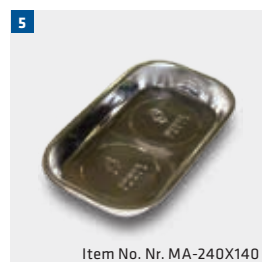
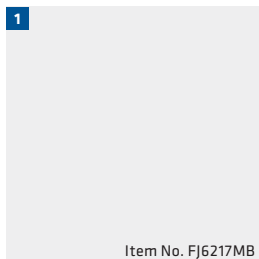
4 The double S-profile of the lifting posts enables maximum stability with minimum space requirement. The contact area of the lifting carriages guided in the lifting posts is significantly increased too.

SPO65E



Model	SPO65E-LBW	SPO65E-EH2-LWB
Load capacity	6.500 kg	6.500 kg
A Stroke	2.000 mm	2.000 mm
B Overall height	4.570-5.028 mm	4.976-5.432 mm
C Overall width	3.937 mm	3.937 mm
D Clear span between	2.687 mm	2.687 mm
E Switchoff level	4.419-4.875 mm	4.791-5.247 mm
F Support bracket length on the front min.	935 mm	935 mm
G Support bracket length on the front max.	1.901 mm	1.900 mm
H Support bracket length on the rear min.	935 mm	935 mm
I Support bracket length on the rear max.	1.901 mm	1.901 mm
J Rotary plate height min.	135 mm	135 mm
K Rotary plate height max.	163 mm	163 mm
M Cylinder height at max. stroke	3.058 mm	3.071 mm
Driving power	3 kW	3 kW
Power supply voltage (electrical)	230/400 V, 50 Hz	230/400 V, 50 Hz
Lifting time	ca. 60 sec.	ca. 60 sec.
Required ceiling height STD	4.740-5.200 mm	5.600 mm
Weight	1.700 kg	1.700 kg

ACCESSORIES



- 1** Turntable Set SPO65 (4 pieces)
- 2** Rotary Plate (1 piece)
- 3** Pick-up kit for Crafter/Sprinter front mandrel, 2 x for Sprinter/Crafter with reducers, front
- 4** Pick-up kit for Crafter/Sprinter semicircular, 2 x for Sprinter/Crafter, semicircular for rear, incl. reducers
- 5** Storage tray for tools, magnetic