



TRANSMISSION JACKS

VL3 / VL6 / VL10



Capacity: 0,3 / 0,6 / 1,0 t
Max. height: 1965 / 1965 / 2000 mm

Hydraulic transmission jack

- Pedal operated pump leaving both hands free for working
- Precise adjustment for positioning of transmission
- Hand operated dead man's release for optimum safety whilst lowering
- Galvanised support saddle and base frame
- Built-in safety overload valve
- Sturdy swivel castors for optimum stability and manoeuvrability
- Hard chromium plated piston rod and pump piston for long life
- Also suitable for many other lifting operations such as mounting of springs, fuel tanks, exhaust pipes etc.



VLT12



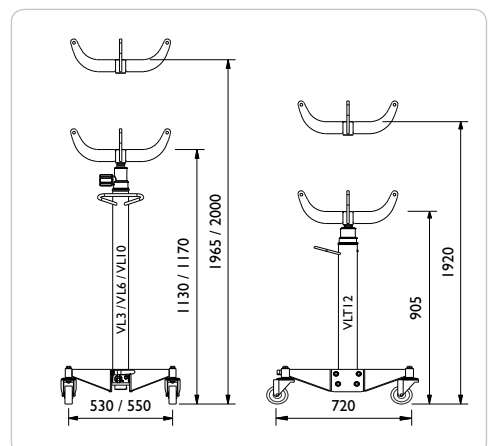
Capacity: 1,2 t
Max. height: 1920 mm

Hydraulic transmission jack with telescopic cylinder

- Especially for lifting heavy truck transmissions
- Ideal for workshop pits due to low minimum height and long stroke
- Pedal operated pump with built-in quick lift leaving both hands free for working
- Precise adjustment for positioning of transmission
- Hand operated dead man's release for optimum safety whilst lowering
- Galvanised support saddle and base frame
- Built-in safety overload valve
- Sturdy swivel castors (2 lockable) for optimum stability and manoeuvrability



	VL3	VL6	VL10	VLT12
Capacity	0,3 t	0,6 t	1,0 t	1,2 t
Min. height	1130 mm	1130 mm	1170 mm	905 mm
Max. height	1965 mm	1965 mm	2000 mm	1920 mm
Width	530 mm	530 mm	550 mm	720 mm
Weight	33 kg	33 kg	40 kg	65 kg
Wheel diameter	Ø 80 mm	Ø 80 mm	Ø 125 mm	Ø 125 mm





TRANSMISSION JACKS

VLT6



Capacity: 0,6 t
Max. height: 1915 mm

Transmission jack with pneumatically controlled high speed

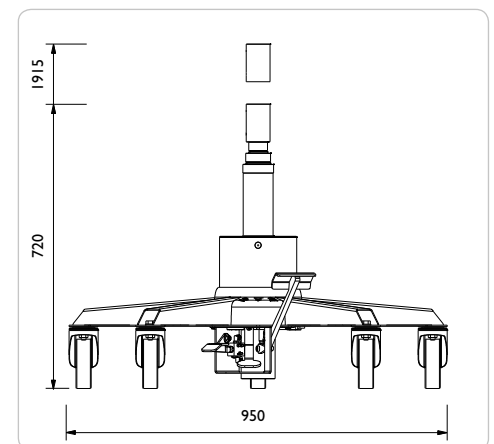
The 3 stage telescopic cylinder ensures a very low minimum height
5 legs offers the best stability on the market

Simple operation by use of 3 pedals leaving both hands free for working

Pneumatically controlled high speed guarantees quick and efficient lifting

Large and robust swiveling wheels (2 with locks) offer optimum manoeuvrability

Built-in safety overload valve



VLT6

Capacity	0,6 t
Stroke	1195 mm
Min. height	720 mm
Max. height	1915 mm
Height step 1/2/3	1120 mm / 1520 mm / 1915 mm
Air capacity step 1/2/3 (10 bar)	255 kg / 140 kg / 60 kg
Width	950 mm
Wheel size	Ø 125
Air supply	8-10 bar
Weight	53 kg



OPTION - TRANSMISSION JACKS

AS1



Capacity: 0,5 t
Dimension: 352x307x118 mm

Gearbox saddle for passenger vehicles

10° tilt in all directions for precise dismounting and re-mounting of gearboxes

Fitted with 2 straps and 2 rubber cushions with magnets

Weight: 18 kg

Fits:
All models



AS3



Capacity: 1,0 t
Dimension: 542x385x110 mm

Commercial heavy duty gearbox saddle for passenger vehicles and trucks

10° tilt in all directions for accurate dismounting and re-mounting of gearboxes

Low minimum height for wide range of applications

Fitted with 2 straps and 4 rubber cushions with magnets

Weight: 24 kg

Fits:
VL10 / VLT6 / VLT12



UB15



Kapacitet: 15 l

Universal bracket for liquid tub incl. tub

Can be mounted on all Ø25-60 mm pistons

Allocated space for tools, screws and small parts

Special design allows oil filters to drain hands free

Hinged tilt function for easy emptying

Resistant to oil, acid and cooling liquid



S / GSI



Saddle

Suitable for mounting springs, fuel tanks, exhaust pipes etc.

Fits:
VL3 / VL6 /
VL10 / VLT12

Rubber cushion

To be used with the S-saddle for protection of car body

Fits:
S

