



# 40 SERIES

**FOUR POST LIFTS**

**MODELS 410, 414 & 420  
424, 430 & 434**

**ILLUSTRATED SPARE PARTS LIST**

FEB 87

**40 SERIES  
ILLUSTRATED SPARE PARTS LISTS****INDEX**

<b>Plate No.</b>	<b>Description</b>	<b>Page</b>
1	Lift Structure	7.1
2	Anti-Toe Trapping 120mm Deep	7.3
3	Anti-Toe Trapping 200mm Deep	7.5
4	Cables	7.7
5	Wheelfree	7.9
6	Wheelfree Pawl Assembly	7.11
7	Power Pack	7.13
8	Valve Block	7.16
9	Hydraulic Hose Assembly	7.18
10	Knock Off Return	7.18
11	Piston Pawl Lever and Limit Switch	7.18
12	Power Pack Lid	7.20
13	Auxiliary Column/Safety Rack Assembly	7.22
14	Safety Gear Assembly	7.24
15	Pulley Pins and Spacers	7.26
16	Cylinder Assembly	7.30
17	Fixed Stop and Ramp Assembly	7.32
18	Chock Assembly	7.34

x Denotes used on pre-40 Series Power Pack Lifts

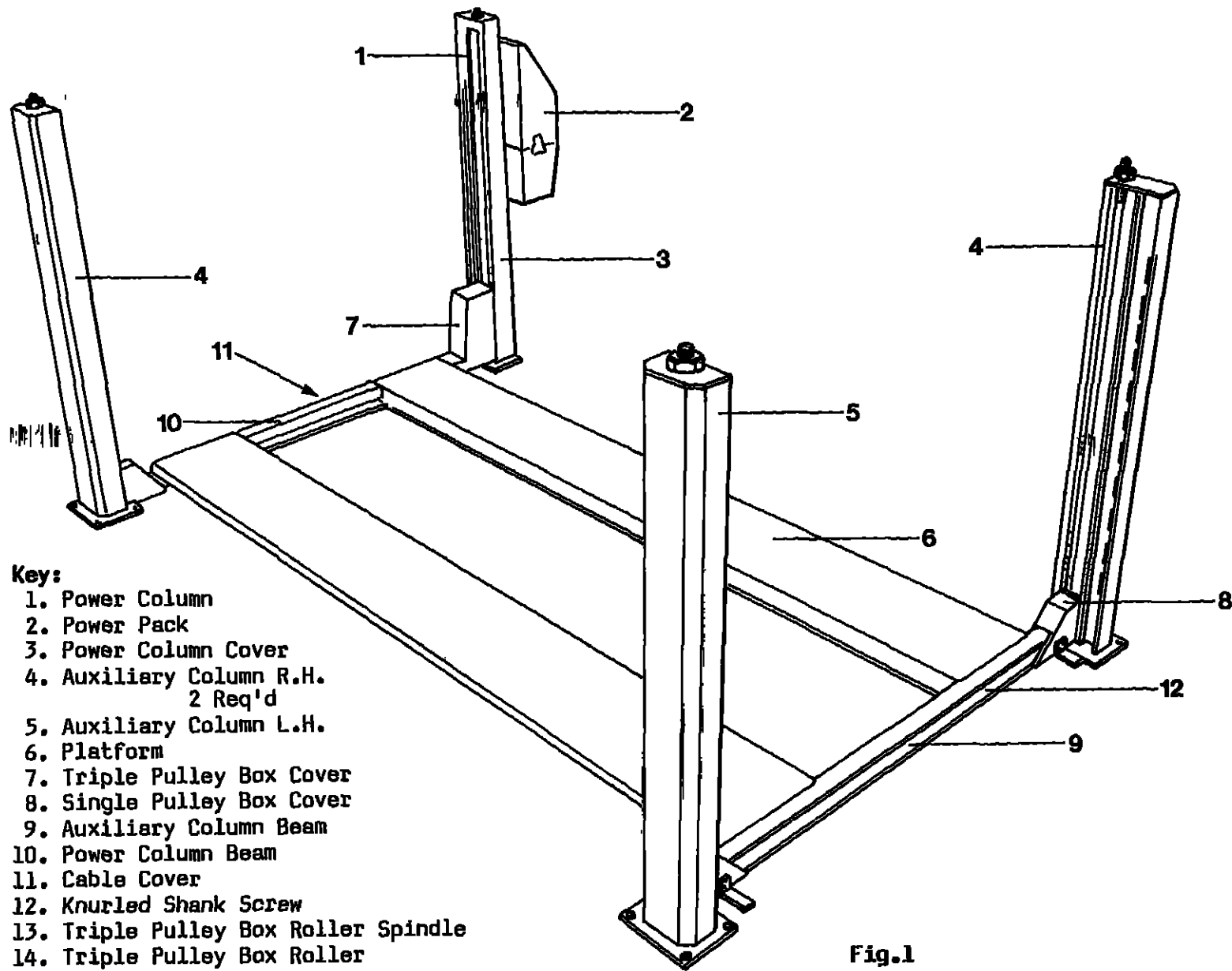
INSIST THAT ONLY BRADBURY GENUINE SPARES ARE FITTED

Alternative parts may seem the same but their performance may affect the inherent safety of the lift. We take a great deal of time testing the suitability of our parts to ensure the reliability and safety of your lift. The use of alternative parts is not approved by Bradbury and will automatically cancel the companies liability.

REFER TO FIG No.1

### LIFT STRUCTURE

Item No.	Bradbury No.	Description
1	See Pages 7.30	Power Column
2	See Pages 7.13	Power Pack
3	400W003	Power Column Cover
4	400W001	Auxiliary column R.H.
5	400W002	Auxiliary Column L.H.
6	-	Platform
	410W001	Plain Platform
	410G031	Power platform recessed M.O.T. complete with turntable
	410G032	Auxiliary platform recessed M.O.T. complete with turntable
	410W024	Power Platform recessed M.O.T. without turntable
	410W025	Auxiliary platform recessed M.O.T. without turntable
	410W020	Power platform recessed for optical wheel aligning
	410W021	Auxiliary platform recessed for optical wheel aligning
	420W001	Plain platform
	420G026	Power Platform recessed M.O.T. complete with turntable
	420G027	Auxiliary platform recessed M.O.T. complete with turntable
	420W020	Power platform recessed M.O.T. without turntable
	420W021	Auxiliary platform recessed M.O.T. without turntable
	420W015	Power platform recessed for optical wheel aligning
	420W016	Auxiliary platform recessed for optical wheel aligning
	430W001	Plain platform
	430W002	Power platform recessed for optical wheel aligning
	430W003	Auxiliary platform recessed for optical wheel aligning
	410W029	Fixed platform for adjustable platform lift.
	410W030	Adjustable platform for adjustable platform lift
	410W031	Recessed fixed platform for optical wheel aligning, adjustable platform lift
	410W032	Recessed adjustable platform for optical wheel aligning, adjustable platform lift
7	-400P096	Triple Pulley Box Cover
8	-400W017	Single Pulley Box Cover
9	-	Auxiliary Column Beam
	410W003	Models 410 and 414
	410W028	Model 41 adjustable platform
	410W044	Model 41 wheel aligning variant
	420W003	Models 420,424,430 and 434
10	-	Power Column Beam
	410W002	Models 410,414 and wheel aligning variant
	410W027	Model 41 adjustable platform
	420W002	Model 420,424,430 and 434
11	-	Cable Cover
	410W007	Model 41
	420W005	Models 42 and 43
12	-BXX0081	Knurled Shank Screw
13	-400P095	Triple Pulley Box Roller Spindle
14	400P094	Triple Pulley Box Roller



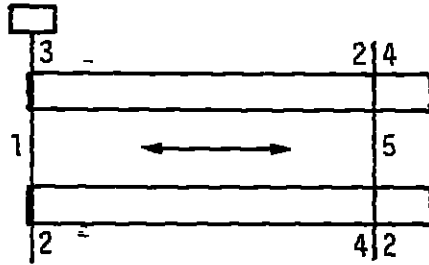
## Anti-Toe Trapping

### 120mm Deep

Refer to Fig No. 2

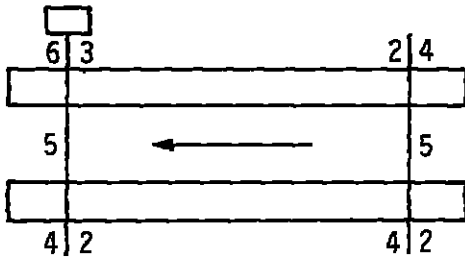
Bradbury No.	Description
400W027	Auxiliary Beam Anti-Toe Trapping Bar
410W011	Power Beam Anti-Toe Trapping Bar
410W012	Triple Box Anti-Toe Trapping Bar
410W013	Single Box Anti-Toe Trapping Bar L.H.
410W014	Single Box Anti-Toe Trapping Bar R.H.
410W022	Triple Box Anti-Toe Trapping Bar
414W004	Power Beam Anti-Toe Trapping Bar
414W005	Triple Box Anti-Toe Trapping Bar
414W006	Single Box Anti-Toe Trapping Bar L.H.
414W007	Single Box Anti-Toe Trapping Bar R.H.
414W009	Triple Box (Outer) Anti-Toe Trapping Bar
414W012	Single Box Anti-Toe Trapping Bar L.H.
414W013	Single Box Anti-Toe Trapping Bar R.H.
414W014	Auxiliary Beam Anti-Toe Trapping Bar
420W006	Power Beam Anti-Toe Trapping Bar
420W007	Triple Box Anti-Toe Trapping Bar
420W008	Single Box Anti-Toe Trapping Bar L.H.
420W009	Single Box Anti-Toe Trapping Bar R.H.
420W017	Triple Box (Outer) Anti-Toe Trapping Bar
424W004	Power Beam Anti-Toe Trapping Bar
424W005	Triple Box Anti-Toe Trapping Bar
424W006	Single box Anti-Toe Trapping Bar L.H.
424W007	Single Box Anti-Toe Trapping Bar R.H.
424W009	Triple Box (Outer) Anti-Toe Trapping Bar

Fig.2 Anti-Toe Trapping



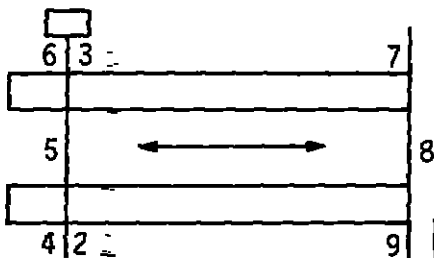
120mm Deep  
Drive On - Back Off

	1	2	3	4	5	6
410	410W011	410W013	410W012	410W014	400W027	
414	414W004	414W006	414W005	414W007	400W027	
420	420W006	420W008	420W007	420W009	400W027	
424	424W004	424W006	424W005	424W007	400W027	
430	420W006	420W008	420W007	420W009	400W027	
434	424W004	424W006	424W005	424W007	400W027	



Drive Through

		2	3	4	5	6
410		410W013	410W012	410W014	400W027	410W022
414		414W006	414W005	414W007	400W027	414W009
420		420W008	420W007	420W009	400W027	400W017
424		424W006	424W005	424W007	400W027	424W009
430		420W008	420W007	420W009	400W027	420W017
434		424W006	424W005	424W007	400W027	424W009



Drive On - Back Off  
414 Wheel  
Aligning

	2	3	4	5	6
	414W006	414W005	414W007	400W027	414W009
7	8	9			
414W012	414W014	414W013			

Anti-Toe Trapping

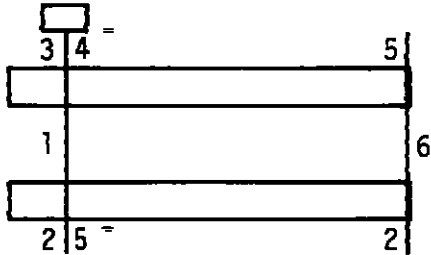
200mm Deep

Refer to Fig No. 3

Bradbury No.	Description
400W043 =	Power Beam Anti-Toe Trapping Bar
410W018 =	Auxiliary Beam Anti-Toe Trapping Bar
410W038 =	Triple Box (Inner) Anti-Toe Trapping Bar
410W039 =	Triple Box (Outer) Anti-Toe Trapping Bar
410W040 =	Single Box Anti-Toe Trapping Bar L.H.
410W041 =	Single Box Anti-Toe Trapping Bar R.H.
410W045 =	Single Box Anti-Toe Trapping Bar L.H.
410W046 =	Single Box Anti-Toe Trapping Bar R.H.
410W047 =	Auxiliary Beam Anti-Toe Trapping Bar
420W013 =	Auxiliary Beam Anti-Toe Trapping Bar
420W022 =	Triple Box (Inner) Anti-Toe Trapping Bar
420W023 =	Triple Box (Outer) Anti-Toe Trapping Bar
420W024 =	Single Box Anti-Toe Trapping Bar R.H.
420W025 =	Single Box Anti-Toe Trapping Bar L.H.

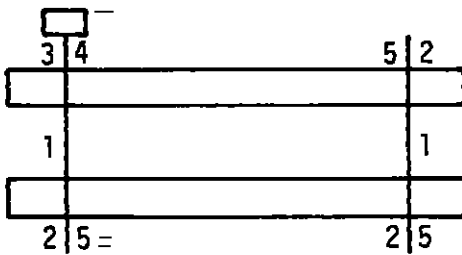
Fig. 3 Anti-Toe Trapping

200mm Deep



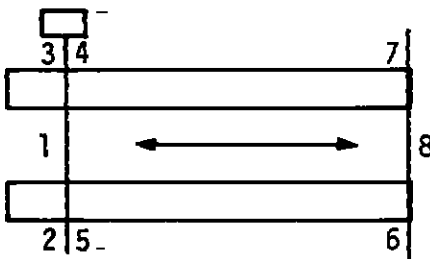
Drive On - Back Off

	1	2	3	4	5	6
410,414	400W043	410W041	410W039	410W038	410W040	410W018
420,424,430,434	400W043	420W024	420W023	420W022	420W025	420W013



Drive Through

	1	2	3	4	5	6
410,414	400W043	410W041	410W039	410W038	410W040	
420,424,430,434	400W043	420W024	420W023	420W022	420W025	



Drive On - Back Off

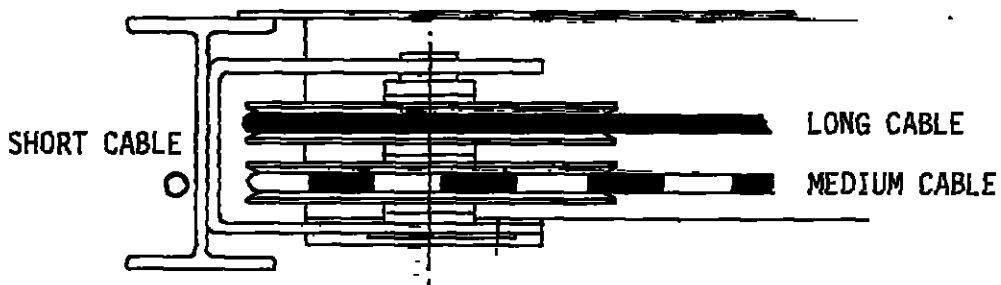
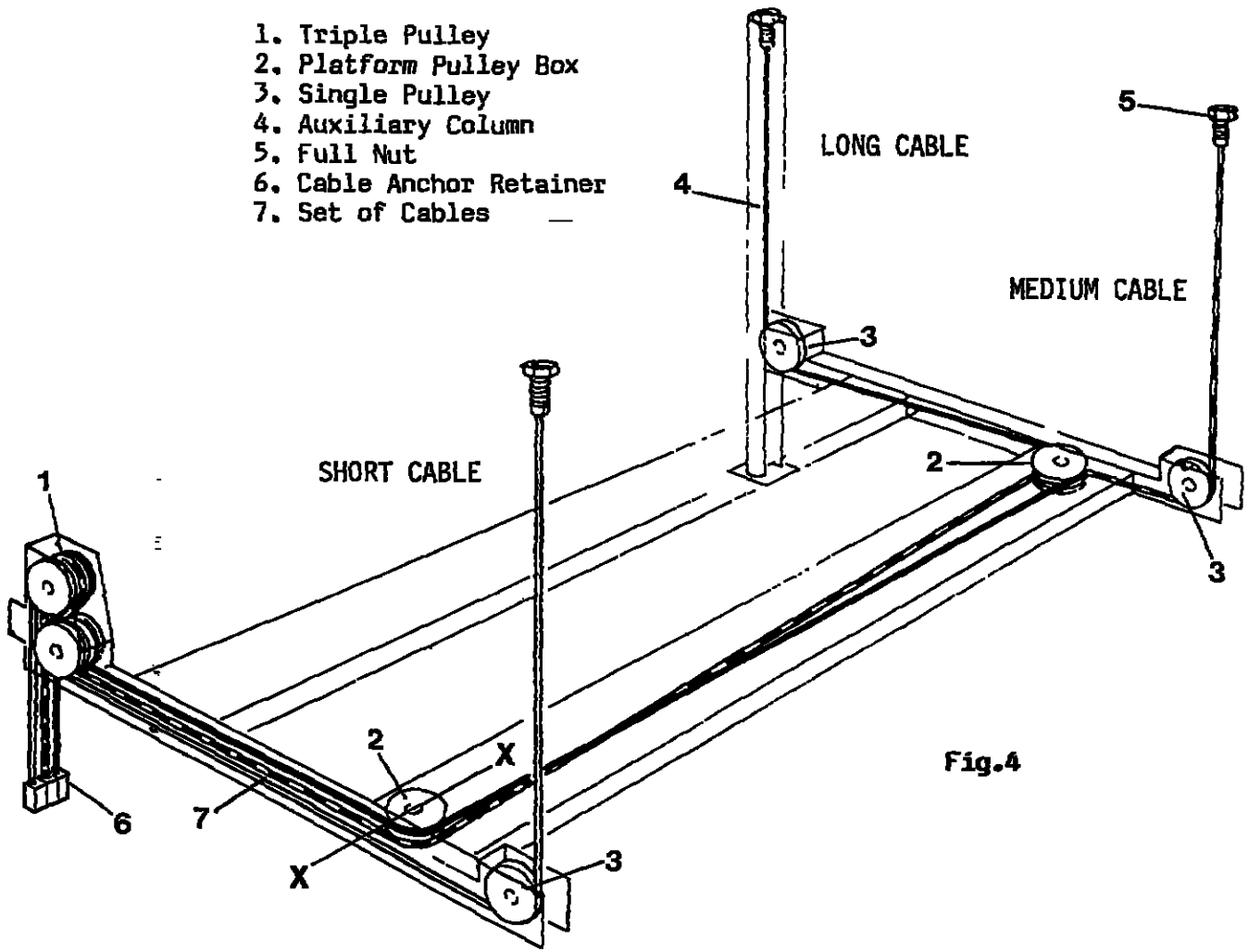
	1	2	3	4	5	6
414 Wheel	400W043	410W041	410W039	410W038	410W040	410W046
Aligning						
	7	8				
	410W045	410W047				



REFER TO FIG No.4

Item No.	Bradbury No.	Description
5	- NUT0008	Full Nut M36
6	- 400P047	Cable Anchor Retainer
7		Cable Set Consisting of Short, Medium and Long Cables
	410G004	Single Ref. C.A.
	410G035	Twin Ref C.F.
	410G039	Twin Ref C.H. Adjustable Platform
	410G052	Single Ref C.J. Adjustable Platform
	410G068	Single Ref C.K. Celette Body Jig
	410G084	Single Ref C.L. Wheel Aligning Variant
	420G004	Twin Ref C.B.
	430G002	Twin Ref C.C.

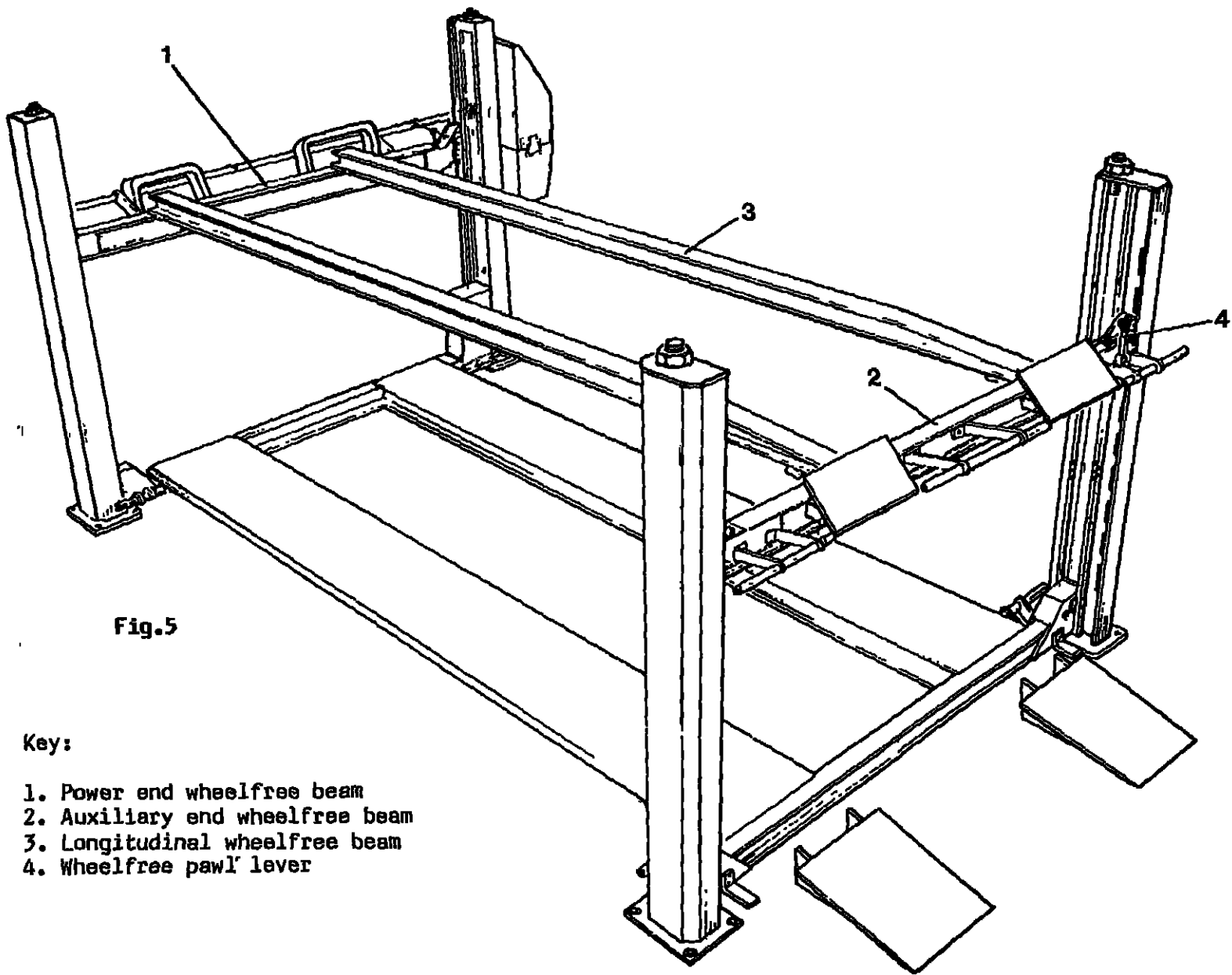
- 1. Triple Pulley
- 2. Platform Pulley Box
- 3. Single Pulley
- 4. Auxiliary Column
- 5. Full Nut
- 6. Cable Anchor Retainer
- 7. Set of Cables



REFER TO FIG No.5

Wheelfree

Item No.	Bradbury No.	Description
1	- 414G002 424G002	Power End Wheelfree Beams
2	- 414G001 414G018 424G001	Auxiliary End Wheelfree Beam 41 Wheel Aligning Variant
3	- 414G003 414G008 424G003 424G013 424G016 434G001 434G003 434G006	Longitudinal Wheelfree Beam Drive on/Back off Drive through Drive on/Back off Drive through Drive through, shallow beam Drive on/Back off Drive through Drive through, shallow beam
Not Shown	x 414G006	Chassis Support 50mm
"	x 414G007	Chassis Support 100mm
"	x 424G006	Chassis Support 50mm
"	x 424G007	Chassis Support 100mm
Not Shown	x 414G014	Workshop Crossmember
"	x 424G014	Workshop Crossmember

**Fig.5****Key:**

1. Power end wheelfree beam
2. Auxiliary end wheelfree beam
3. Longitudinal wheelfree beam
4. Wheelfree pawl lever

REFER TO FIG No.6

Wheelfree Pawl Assembly

Item No.	Bradbury No.	Description
1	404W001	Wheelfree Pawl
2	404W005	Operating Lever
3	See Page 7.9	Wheelfree Beam
4	404W003) 404W004)	Adjustable Actuating Lever
5	Part of beam weld assembly	
6	See Page 7.22	Guide Block
7	SPR2004	Tension Spring
8	Part of column weld assembly	
9	BXX0111	Wheelfree Guide
10	BXX0138	Wheelfree Guide Shim
11	404P008	Wheelfree Detent Roller Guide
12	404P007	Wheelfree Detent Roller

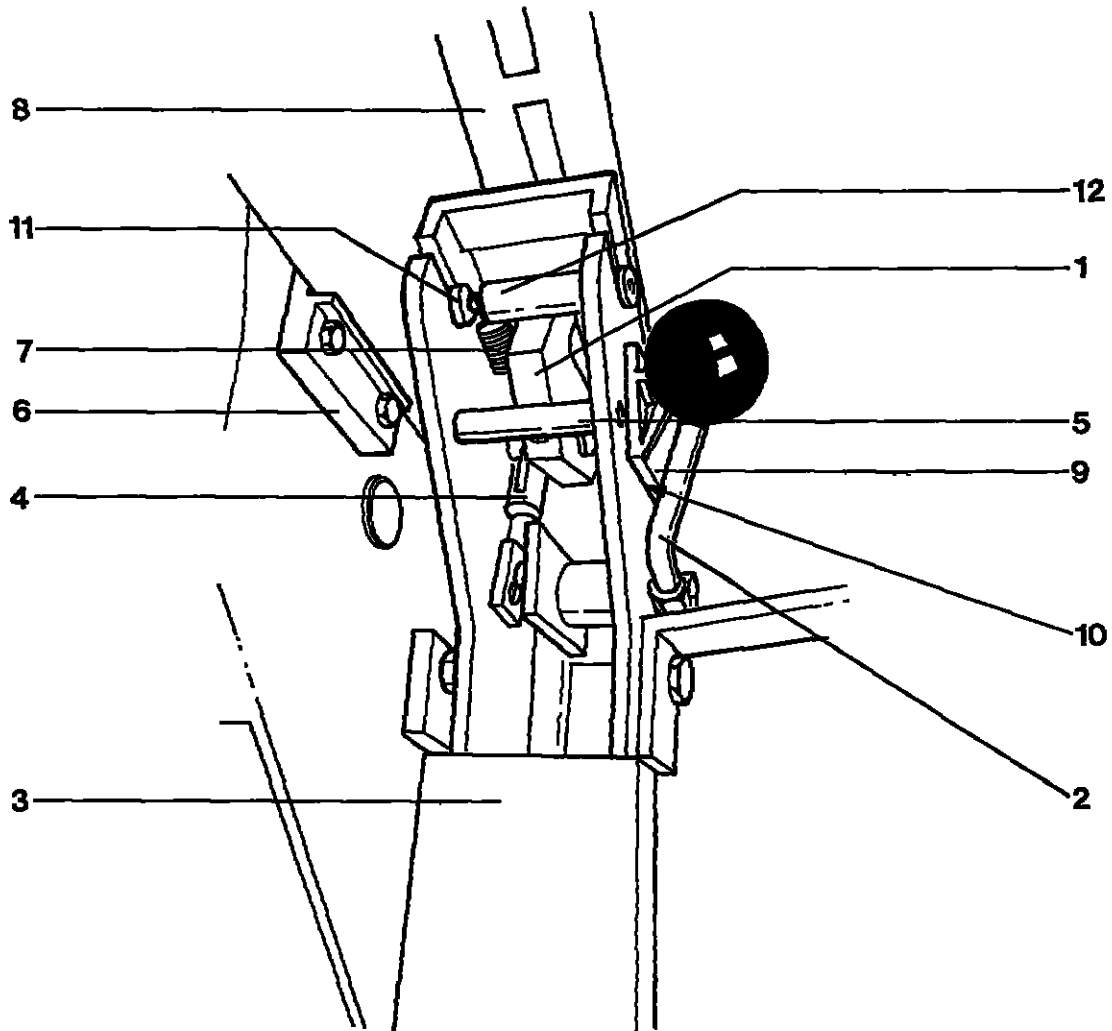


Fig.6

**Wheel Free Pawl Assembly**

- |                               |                         |
|-------------------------------|-------------------------|
| 1. Pawl                       | 7. Tension spring       |
| 2. Operating lever            | 8. Column rack          |
| 3. Wheelfree beam             | 9. Guide                |
| 4. Adjustable actuating lever | 10. Guide shim          |
| 5. Pawl stop                  | 11. Detent roller guide |
| 6. Column guide               | 12. Detent roller       |

REFER TO FIG No.7

**POWER PACK**

Item No.	Bradbury No.	Description
1	SWI4002	Limit Switch
	WAS0005	Plain Washer M5
	SCRO010	Cheese Head Screw M5 x 40
2	xTRN3001	Solenoid 220v .50HZ
	xTRN3003	Solenoid 23/25v 50HZ
	xTRN3002	Solenoid 220v 60HZ C.S.A.
	WAS0005	Plain Washer M5
	SCRO012	Cheese Head Screw M5 x 16
3	xSWI8006	Isolator (complete with fixings)
4		Motor
	xMOTO010	1.5KW 3ph 50HZ Dual Voltage D80 Model 41 Lifts
	xMOT6001	1.1KW 1ph 50HZ 220/240v D90 Models 41,42 and 43 Lifts
	xMOTO018	1.8KW 3ph 60HZ 110/220v D90 Models 41,42 and 43 Lifts C.S.A.
	xMOT6002	1.1KW 1ph 60Z 110/208,220v D90 Models 41,42 and 43 Lifts C.S.A.
	MOTO017	1.8KW 3ph 50HZ Dual Voltage D90 Models 42 and 43 Lifts
	xMOTO021	1.5KW 3ph 50HZ 346v D80 Model 41 Lift
	xMOTO022	1.8KW 3ph 50HZ 346v D80 Models 42 and 43 Lifts
5	NUTO004	Full Nut M10
6	WAS3001	Spring Washer M10
7		Flexible Coupling
	xCPL4001	D80 Motor
	xCPL4008	D90 Motor
	xCPL4002	D80 Motor/Dowty 3019 pump Model 41 Lift High Speed Power pack
8		Bellhousing
	xCPL4000	Models 41,42 and 43 Lifts
	xCPL4004	Model 41 Lift High Speed Power pack
9	WAS0010	Plain Washer M10
10	BLT1050	Hexagon Head Bolt M10 x 50
11	SLS6000	Dowty Seal
12	HXX3000	Hose Assembly Short
13	xHXX3002	Adaptor 3/8" B.S.P. x 3/8" B.S.P.
14	WAS0006	Plain Washer M6
15	WAS3003	Spring Washer M6
16	SCR3512	Cap Head Screw M6 x 25
17		Pump
	xPMP0002	Pump complete with elbow Models 41,42 and 43 Lifts
	xPMP1001	Model 41 High Speed Power pack
18	xHXX7002	Strainer
19	xPLG0003	Plug
20	xPLG3003	Grommet
21	TRN0006	Transformer
		Cheese Head Screw M5 x 16

REFER TO FIG No.13

### AUXILIARY COLUMN/SAFETY RACK ASSEMBLY

Item No.	Bradbury No.	Description
1	_NUT1005	Locknut
1a	=NUT0007	Fullnut
2	- See Fig 1	Auxiliary Column
3	=400W009	Safety Rack
4	=BXX0066	Guide Block
5	=BXX0067	Guide Block
6	=SCR4506	Taptite Screw M6 x 20
7	-Part of	Crossbeam
8	404P021	Wheelfree Support Angle L.H. (as shown)
	404P011	Wheelfree Support Angle R.H.
9	=SCR3502	Cap Head Screw M10 x 20
10	=BLT1020	Hexagon Headed Set Screw M10 x 20
11	=WAS3001	Spring Washer M10



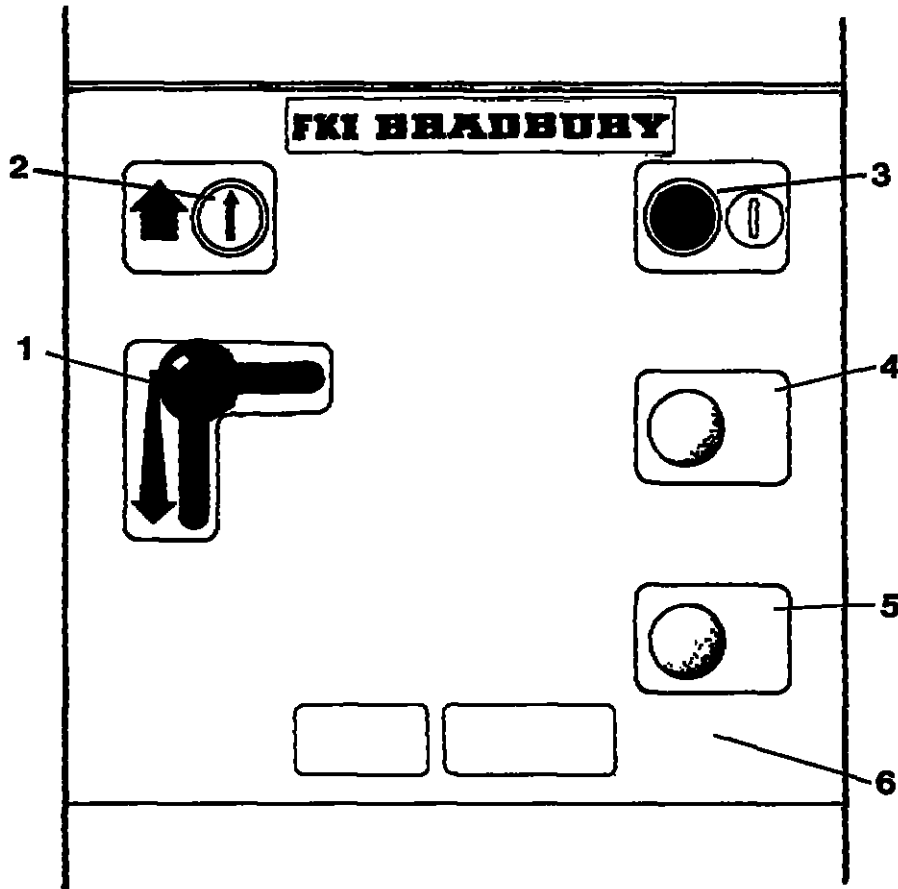


Fig.12  
Power Pack Lid

REFER TO FIG No.12

### POWER PACK LID

Item No.	Bradbury No.	Description
1	See Fig no.	Valve Block
2	xSW15500	Push Button, Raise (Green)
3	xSW15501	Push Button, Master (Black)
4	xSW15502	Push Button for Lights
5		Key Switch for Anti-Tilt
	xSW18004	Key Switch Body/Contact
	xSW18003	Key Switch Operating Head
6	xB1X0095	Power Pack Lid

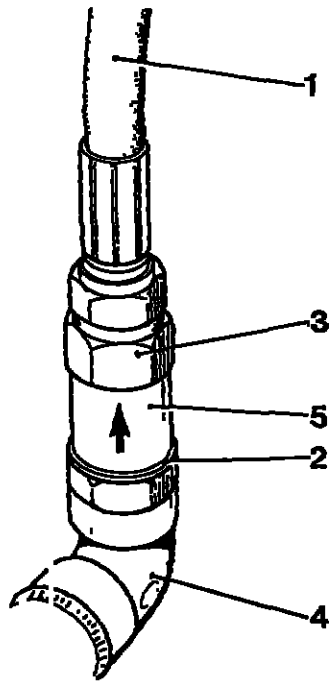


Fig.9

**Hydraulic Hose Assembly**

- 1. High pressure hose
- 2. Dowty seal
- 3. Straight male adaptor
- 4. Cylinder inlet elbow
- 5. Excess flow valve

- 1. Socket screw
- 2. Piston pawl lever
- 3. Limit switch arm
- 4. Limit switch arm lock nut
- 5. Knock-off actuating lever
- 6. Pawl spring bracket
- 7. Oil return
- 8. Pawl spring plunger
- 9. Tension spring
- 10. Limit switch roller
- 11. Compression spring

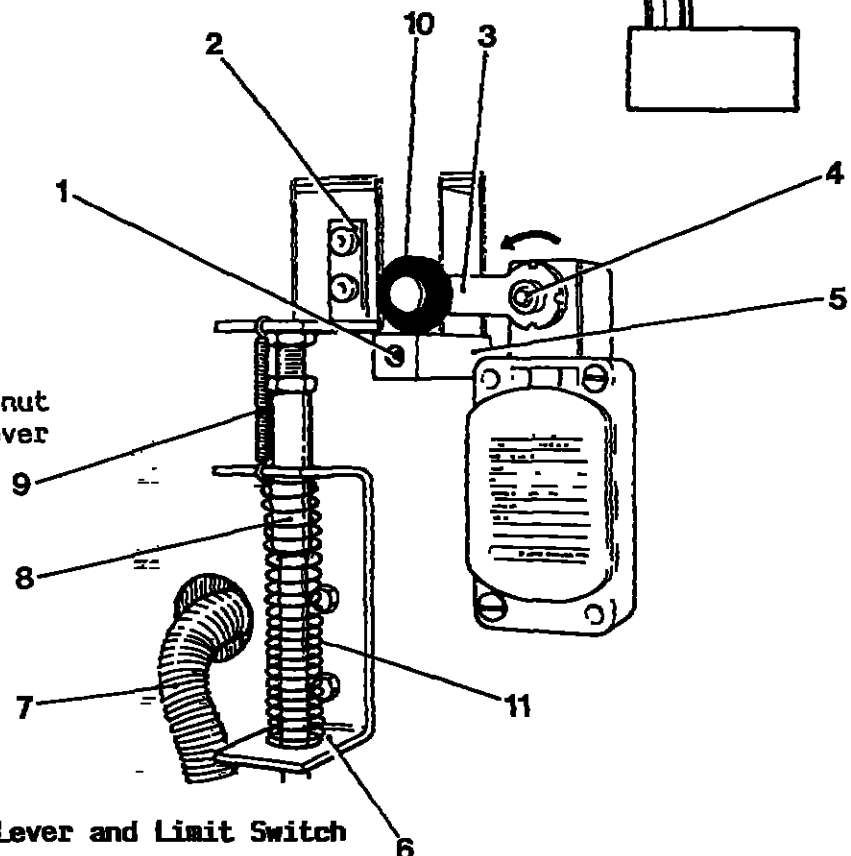


Fig.11

**Piston Pawl Lever and Limit Switch**

- 1. Knock-off rod
- 2. Compression spring
- 3. Knock-off actuating arm

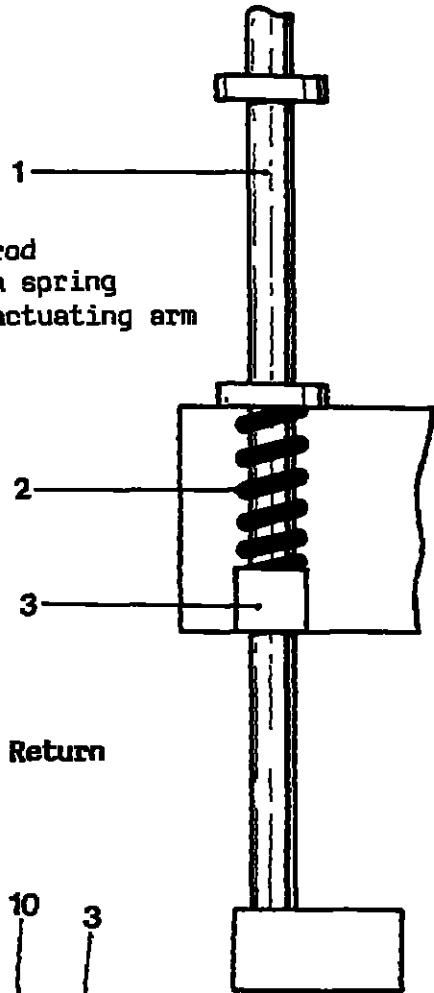


Fig.10

**Knock-Off Return**

REFER TO FIG No.9

**HYDRAULIC HOSE ASSEMBLY**

<b>Item No.</b>	<b>Bradbury No.</b>	<b>Description</b>
1	HXX3001	Hose Assembly
2	SL56000	Dowty Seal
3	xHXX3002	Male Adaptor 3/8" B.S.P. x 3/8" B.S.P.
4	Part of Hydraulic Cylinder	
5	HXX0001	Excess Flow Valve

REFER TO FIG NO. 10

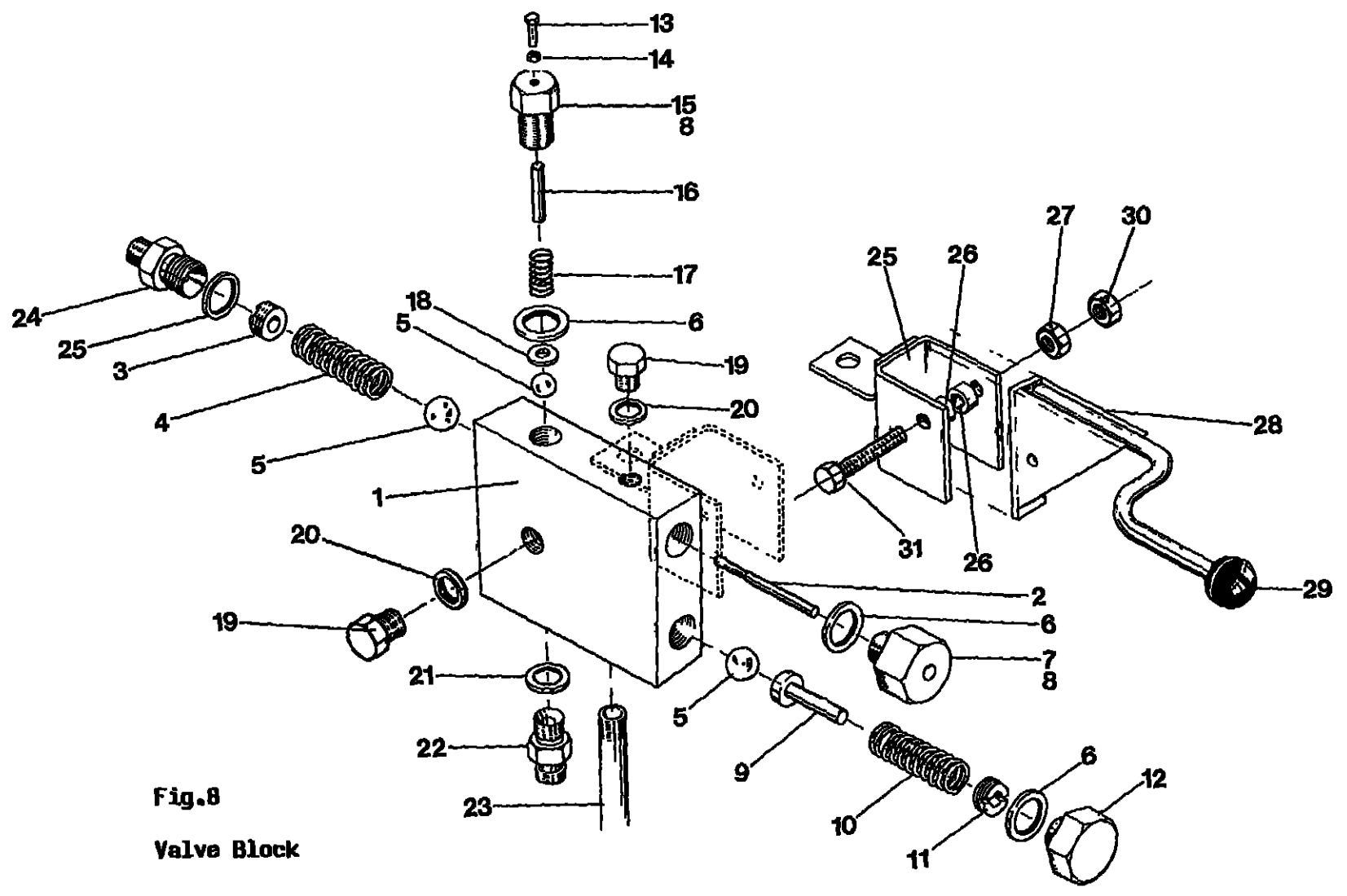
**KNOCK OFF RETURN**

<b>Item No.</b>	<b>Bradbury No.</b>	<b>Description</b>
1	400W012	Knock Off Rod
2	SPR0011	Compression Spring
3	400S015	Knock Off Actuating Arm

REFER TO FIG NO. 11

**PISTON PAWL LEVER AND LIMIT SWITCH**

<b>Item No.</b>	<b>Bradbury No.</b>	<b>Description</b>
1	SCR2009	Socket Set Screw M8 x 8
2	xBXX0080	Piston Pawl Lever
	WAS0006	Plain Washer M6
	WAS3003	Spring Washer M6
	SCR3511	Cap Head Screw M6 x 12
3	Part of Limit Switch	
4	Part of Limit Switch	
5	x400S015	Knock Off Actuating Arm
6	x400P132	Pawl Spring Bracket
7	xCDT0003	Oil Return
8	x400S018	Pawl Spring Plunger
9	xSPR2003	Tension Spring
10	Part of Limit Switch	
11	xSPR0010	Compression Spring



**Fig.8**  
**Valve Block**

REFER TO FIG No.8

**VALVE BLOCK**

<b>Item No.</b>	<b>Bradbury No.</b>	<b>Description</b>
1	400P127	Valve Block
2	400P175	Lowering Valve Plunger
3	400P176	Lowering Valve Spring Retainer
4	3PRO012	Lowering Valve Spring
5	x4XX0028	Steel Ball
6	x3LS6001	Dowty Seal
7	x400P122	Lowering Valve Cap
8	x5LS2004	'U' Seal
9	x400P124	Overload Valve Plunger
10	x5PRO009	Overload Spring
11	x400P125	Overload Valve Adjuster
12	x400P126	Overload Valve Cap
13	BLT0520	Hexagon Head Setscrew M5 x 20
14	NUT0006	Full Nut M5
15	x400P115	Non Return Valve Cap
16	x400P114	Non Return Valve Plunger
17	xSPR0007	Non Return Valve Spring
18	WAS6017	Washer
19	HXX3003	Plug 1/4" B.S.P.
20	SLS6002	Dowty Seal
21	xSLS6000	Dowty Seal
22	xHXX3002	Adaptor 3/6" B.S.P. x 3/8" B.S.P.
23	x400P123	Tank Return Pipe
24	HXX3005	Unequal Adaptor 1/2" B.S.P. x 3/8" B.S.P.
25	400W028	Lowering Handle Bracket
26	400P199	Lowering Handle Spacer
27	NUT0001	Full Nut M8
28	400W023	Lowering Handle
29	xMX0027	Knob
30	NUT1004	Locknut M8
31	BLT0860	M8 x 60 Hex. Head Setscrew

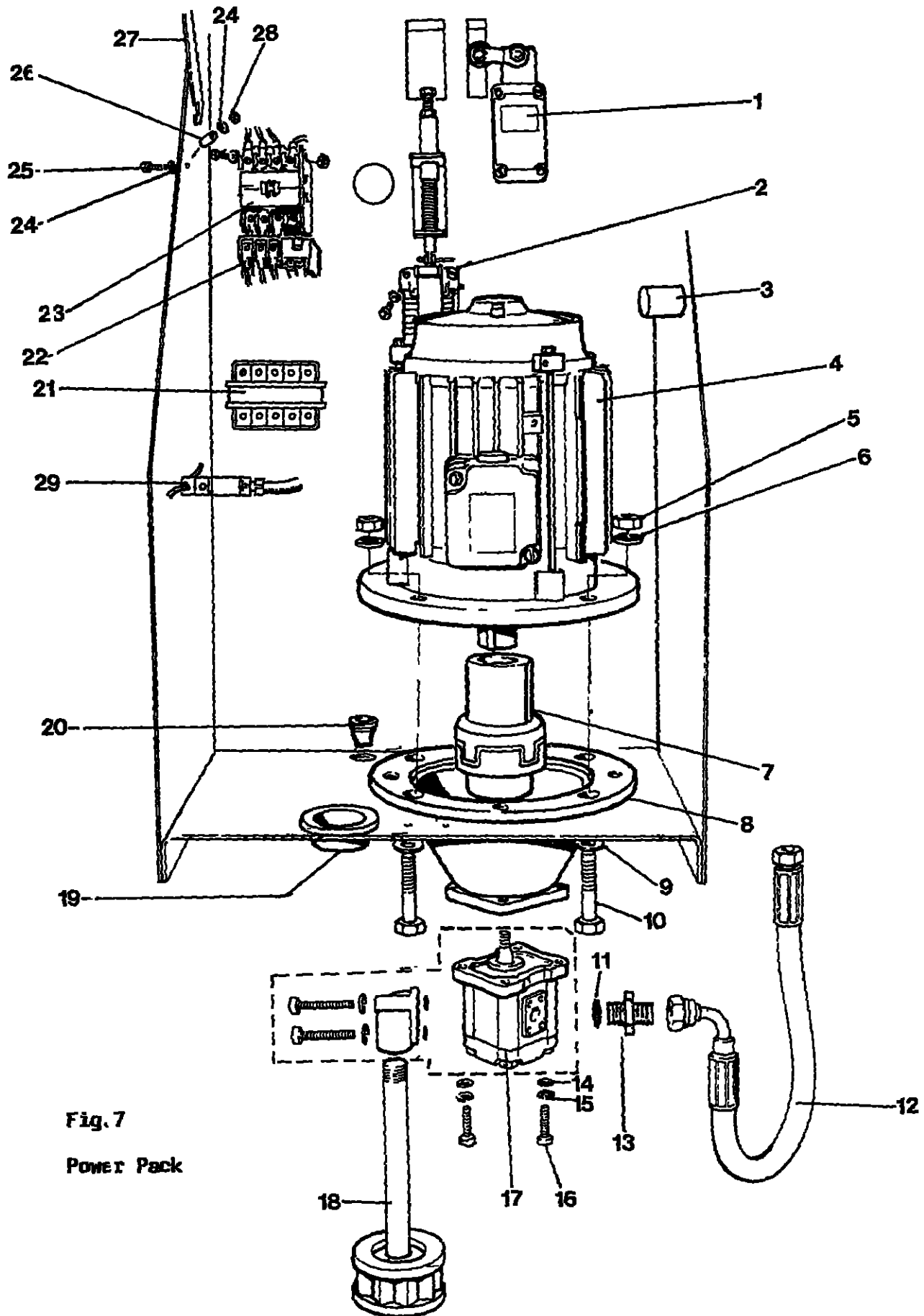


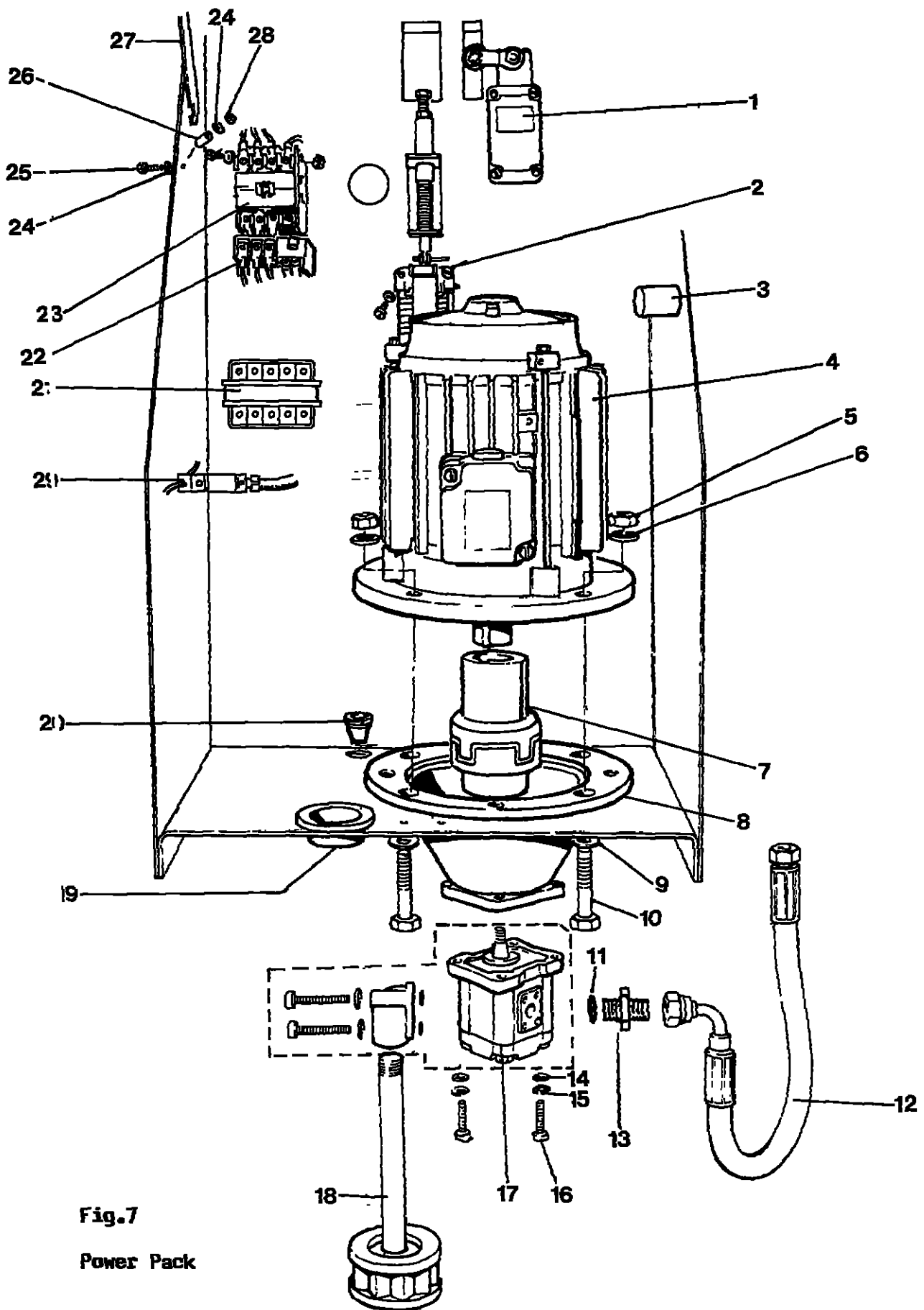
Fig. 7  
Power Pack

REFER TO FIG No.7

**POWER PACK**

<b>Item No.</b>	<b>Bradbury No.</b>	<b>Description</b>
	(TRN0006)	Plain Washer M5
22	--	Thermal Overload
	xSWI2504	Model 41,42 and 43 Lifts, 3ph and 1ph
	xSWI2501	Models 41,42 and 43 C.S.A. Lifts, 3ph and 1ph
23	--	Contactors
	SWI1012	3ph U.K. Market Models 41,42 and 43 Lifts
	SWI1013	1ph U.K., Models 41,42 and 43 export
	SWI1014	24v Controls Models 41,42 and 43 Lifts
	SWI1008	346V Models 41,42 and 43 Lifts
	SCRO013	Cheese Head Screw M4 x 16
	WAS0004	Plain Washer M4
	NUT6000	Self Locking Nut M4
24	WAS0004	Plain Washer M4
25	BLT0420	Hexagon Head Set Screw M4 x 20
26	MXX026	Spacer
27	4005016	Lid Stay
28	NUT6000	Self Locking Nut M4
29	PNE0001	Solenoid Valve
	WAS0017	Plain Washer M3
	SCRO006	Cheese Head Screw M3 x 12

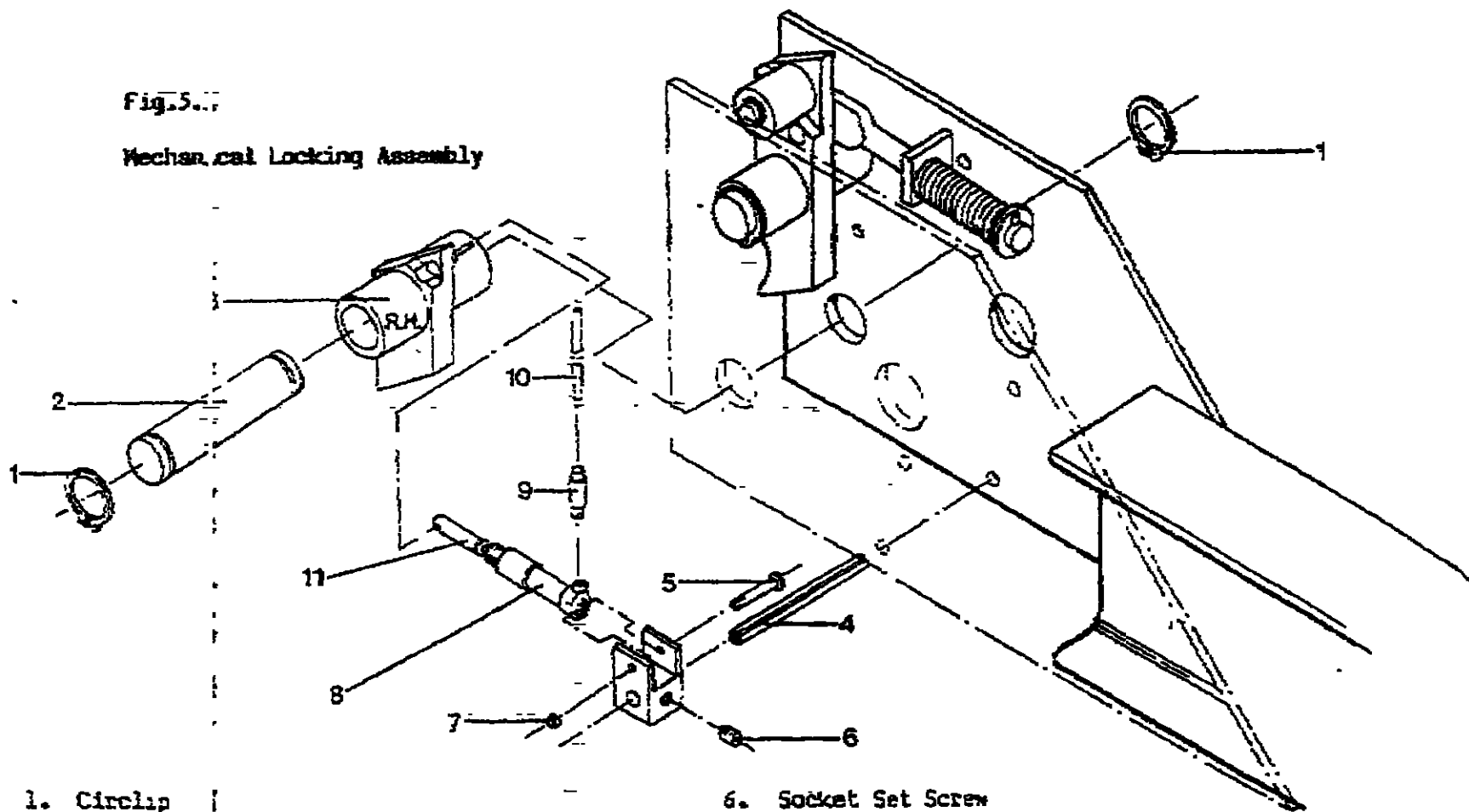




**Fig.7**  
**Power Pack**

Fig. 5.7

## Mechanical Locking Assembly



- |  |                                 |
|--|---------------------------------|
| 1. Circlip   | 6. Socket Set Screw             |
| 2. Safety Pawl Pin                                 | 7. Nylon Nut                    |
| 3. Mechanical Locking Pawl R.H. 1 reqd. 400 w o 10 | 8. Air Cylinder                 |
| L.H. 2 reqd. 400 w o 10                            | 9. Straight Connector           |
| 4. Roll Pin  | 10. Air Pipe                    |
| 5. Set Screw                                       | 11. Air Cylinder Piston Rod End |

20 APR 1994



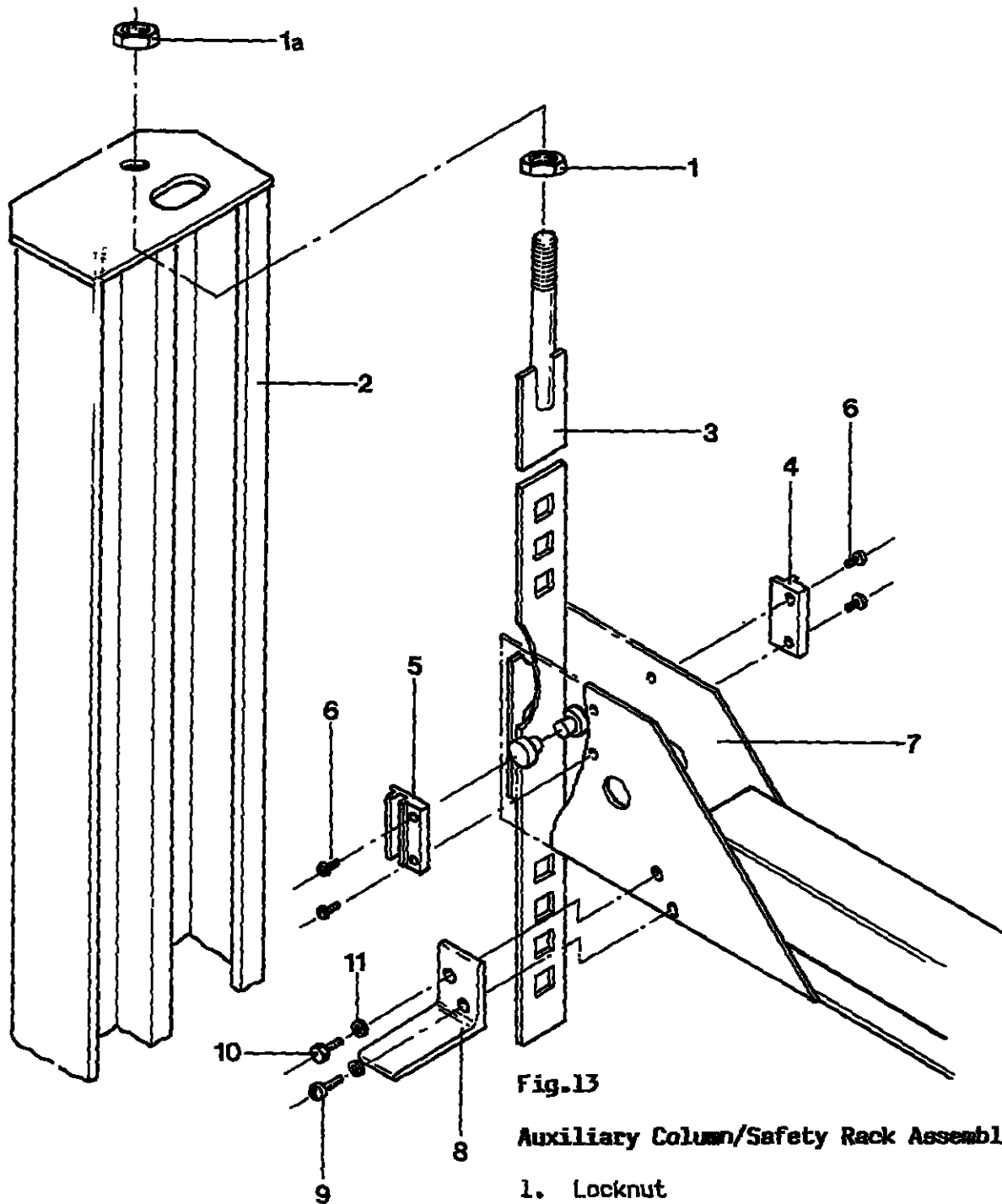


Fig.13

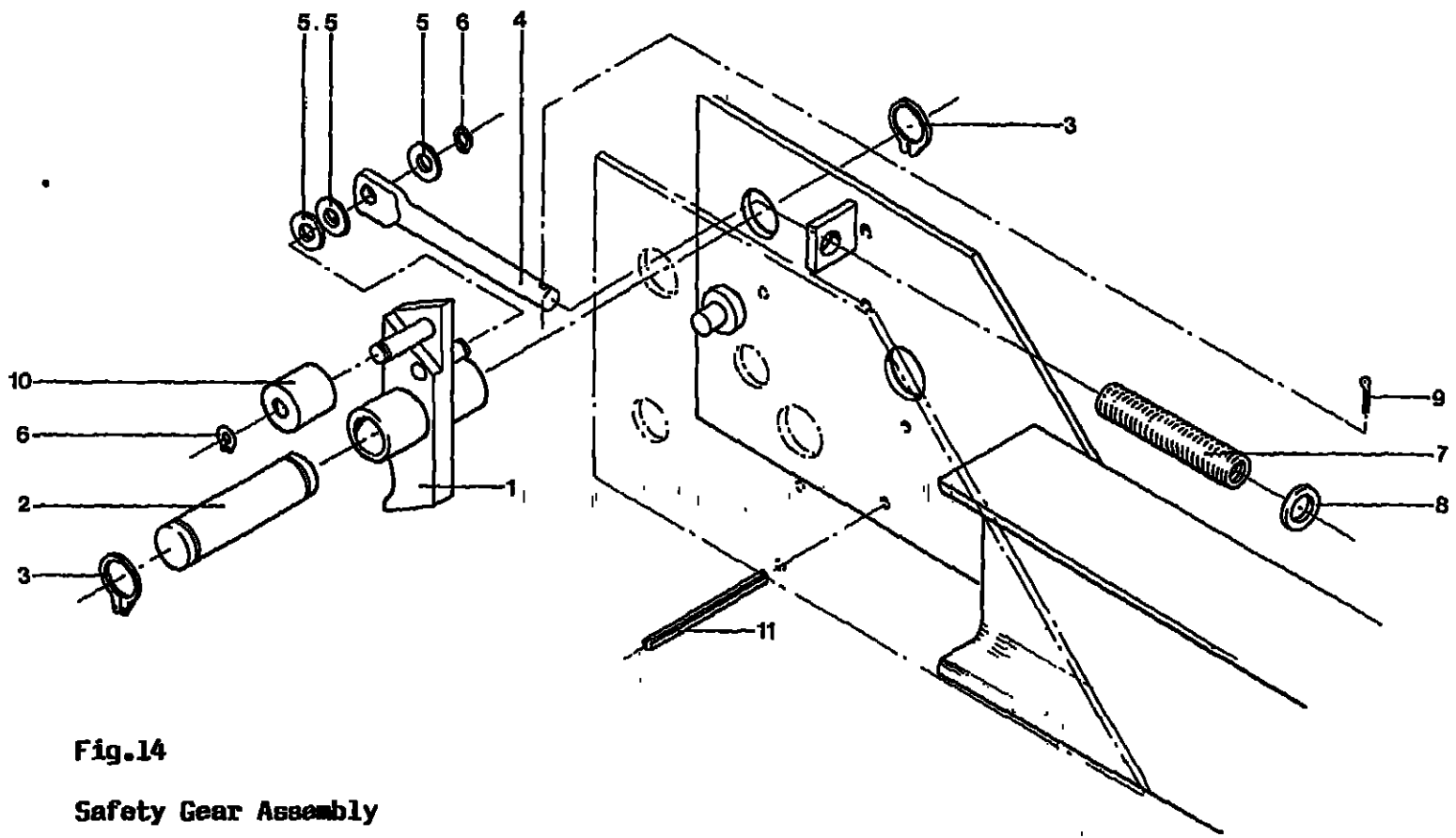
**Auxiliary Column/Safety Rack Assembly**

- 1. Locknut
- 1a. Fullnut
- 2. Auxiliary Column
- 3. Safety rack
- 4. Guide block
- 5. Guide block
- 6. Taptite screw
- 7. Single pulley box
- 8. Wheelfree support angle
- 9. Cap head screw
- 10. Hexagon head screw
- 11. Spring washer

REFER TO FIG No.14

**SAFETY GEAR ASSEMBLY**

<b>Item No.</b>	<b>Bradbury No.</b>	<b>Description</b>
1	400W020	Safety Pawl R.H. (as shown)
	400W019	Safety Pawl L.H.
2	400P072	Safety Pawl Pin
3	FST0008	External Circlip 25 Dia
4	400P071	Safety Gear Actuator
5	WAS0010	Plain Washer M10
6	FST0002	External Circlip 10 Dia
7	SPR0006	Compression Spring
8	WAS0012	Plain Washer M12
9	FST1003	Split Pin 3/32" Dia x 7/8" long
10	430P080	Cable Roller
11	FST2009	Roll Pin 6 Dia x 90 long



**Fig.14**

**Safety Gear Assembly**

- 1. Safety Pawl R.H. 1 Reqd  
L.H. 2 Reqd opposite hand
- 2. Safety Pawl Pin
- 3. Circlip
- 4. Safety Gear Actuator
- 5. Plain Washer
- 6. Circlip
- 7. Compression Spring
- 8. Plain Washer
- 9. Split-pin
- 10. Cable Roller
- 11. Roll Pin Cable Retainer

REFER TO FIG No's.15a,b and c

## PULLEYS PINS AND SPACERS

Item No.	Bradbury No.	Description
1	400W015	Triple Pulley Pin
2	400P058	Triple Pulley Spacer Long
3		Pulley Large Hole
	410S002	Single Groove
	420S002	Twin Groove
4	VAS0003	Triple Pulley Spacer Short
5	SCR4505	Taptite Screw M6 x 12
6	400P060	Single Pulley Spacer Short
7		Pulley Small Hole
	410S001	Single Groove
	420S001	Twin Groove
8	VAS6014	Single Pulley Spacer Small
9	400W014	Single Pulley Pin
10	400P059	Single Pulley Spacer Long

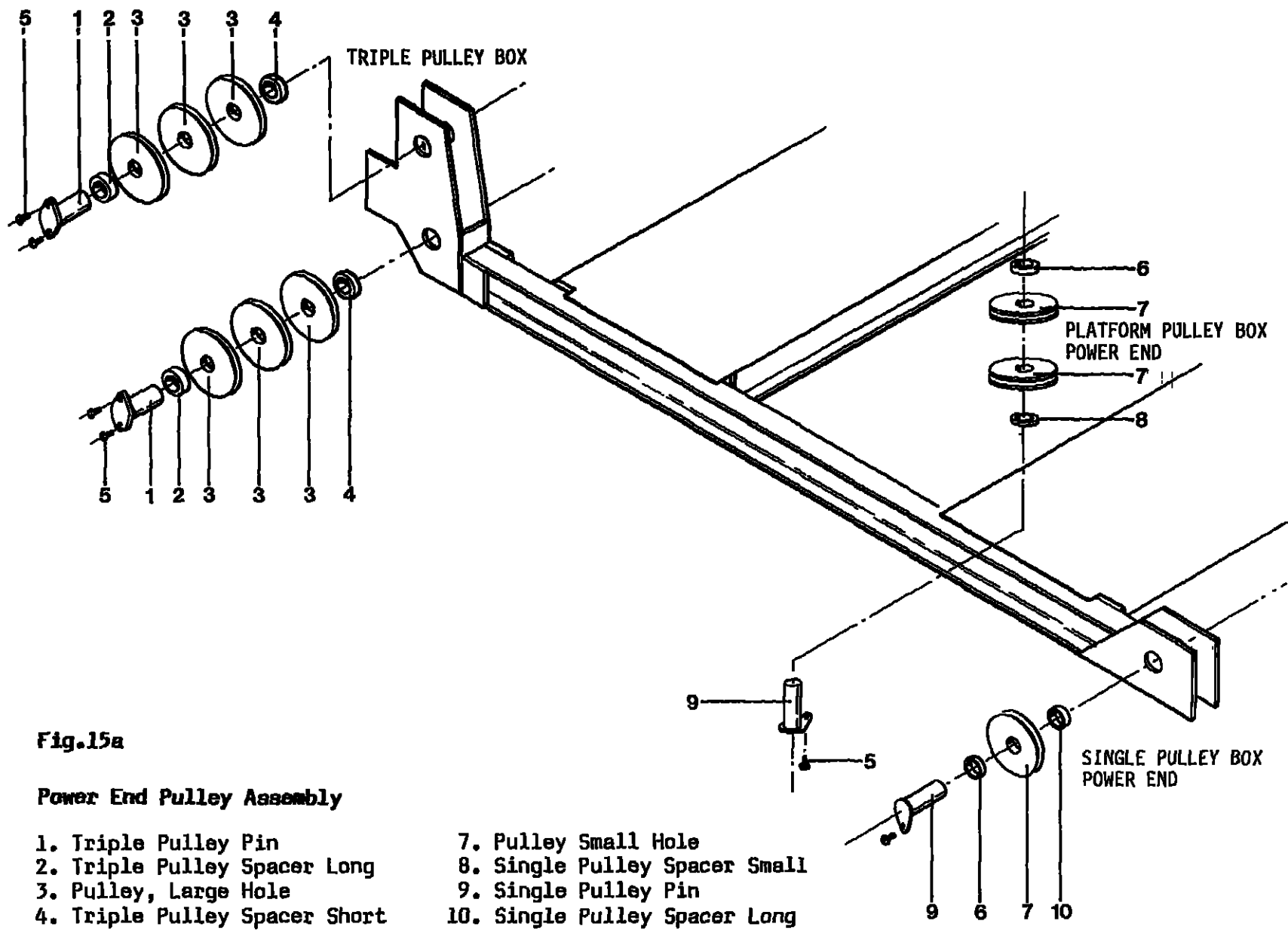


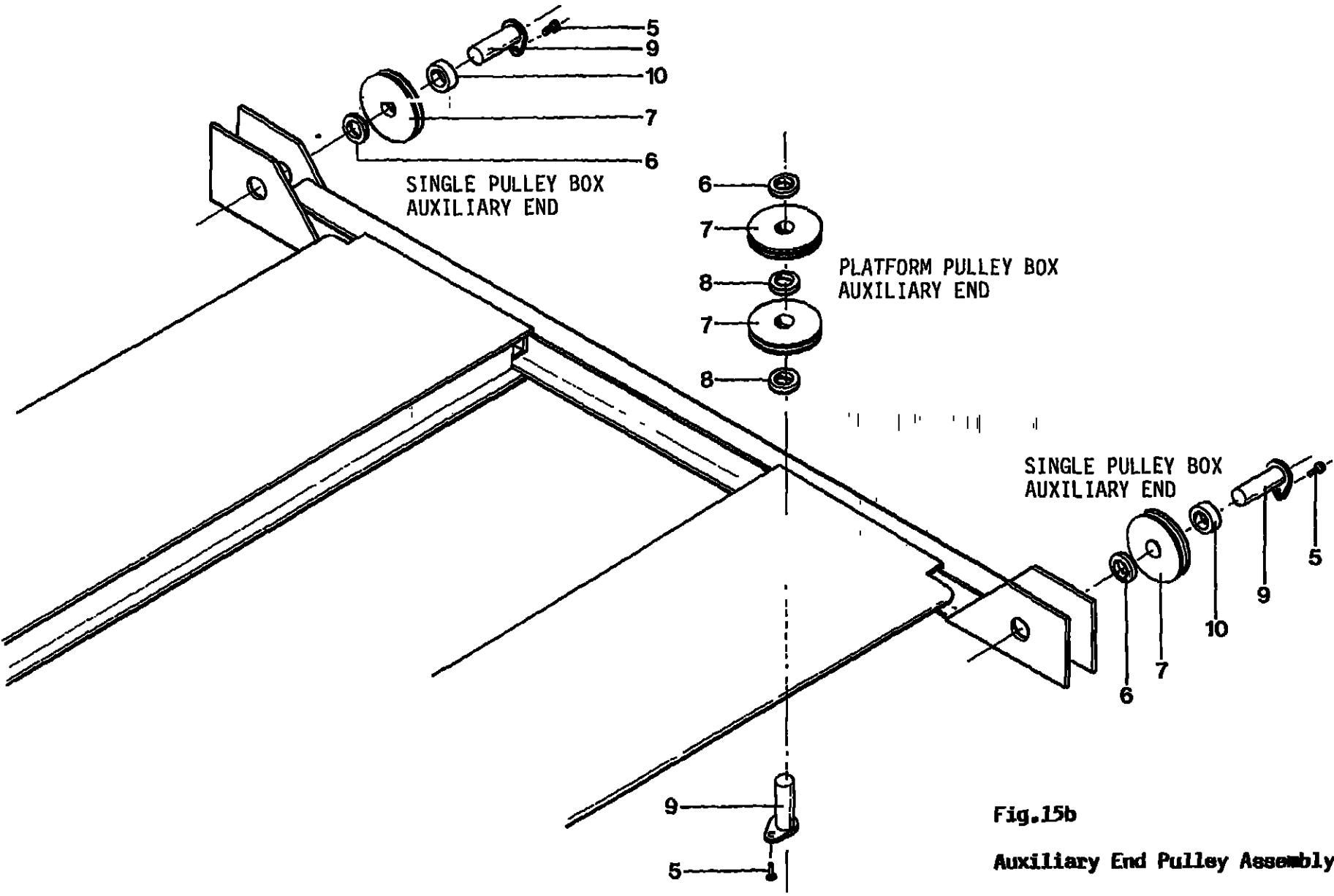
Fig.15a

Power End Pulley Assembly

- 1. Triple Pulley Pin
- 2. Triple Pulley Spacer Long
- 3. Pulley, Large Hole
- 4. Triple Pulley Spacer Short
- 5. Taptite Screw
- 6. Single Pulley Spacer Short

- 7. Pulley Small Hole
- 8. Single Pulley Spacer Small
- 9. Single Pulley Pin
- 10. Single Pulley Spacer Long





**Fig.15b**  
**Auxiliary End Pulley Assembly**

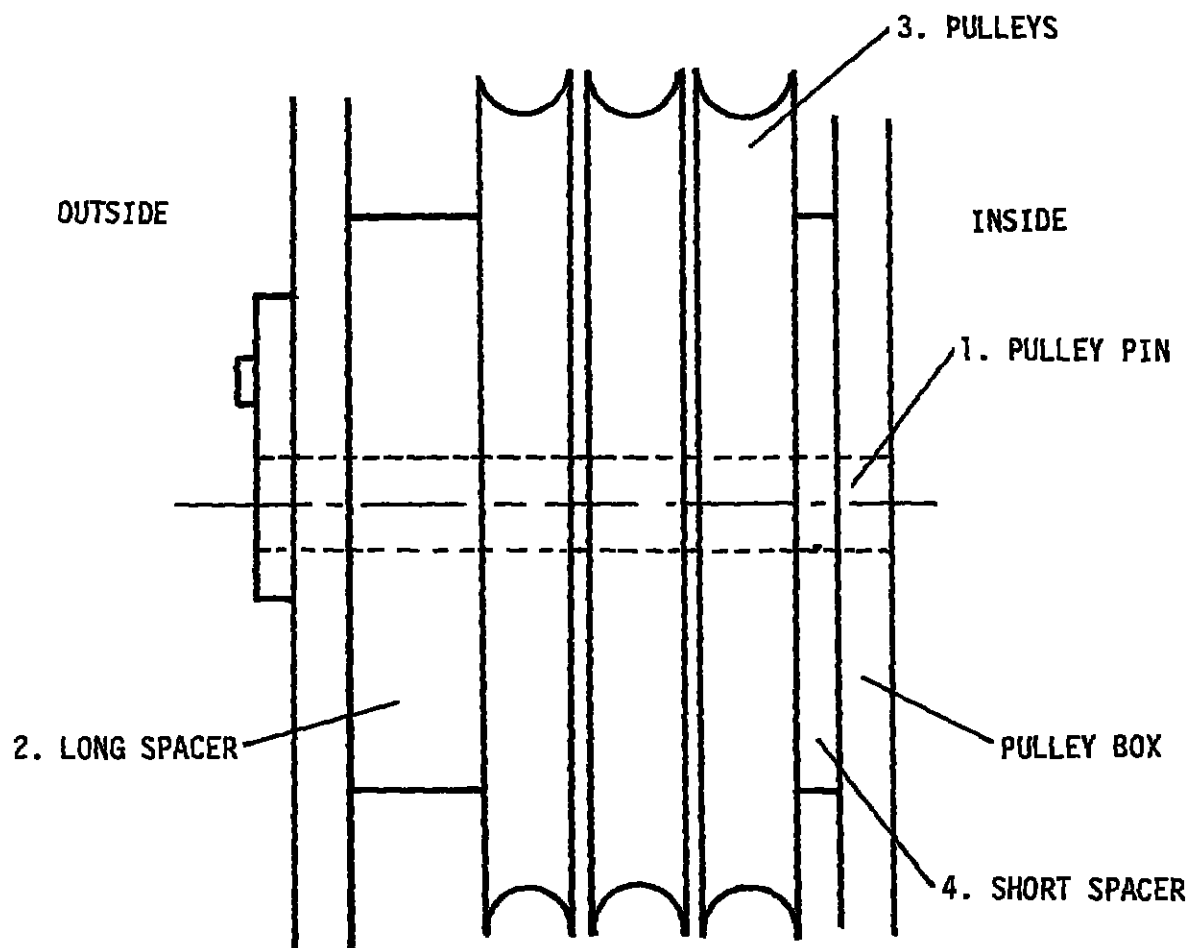
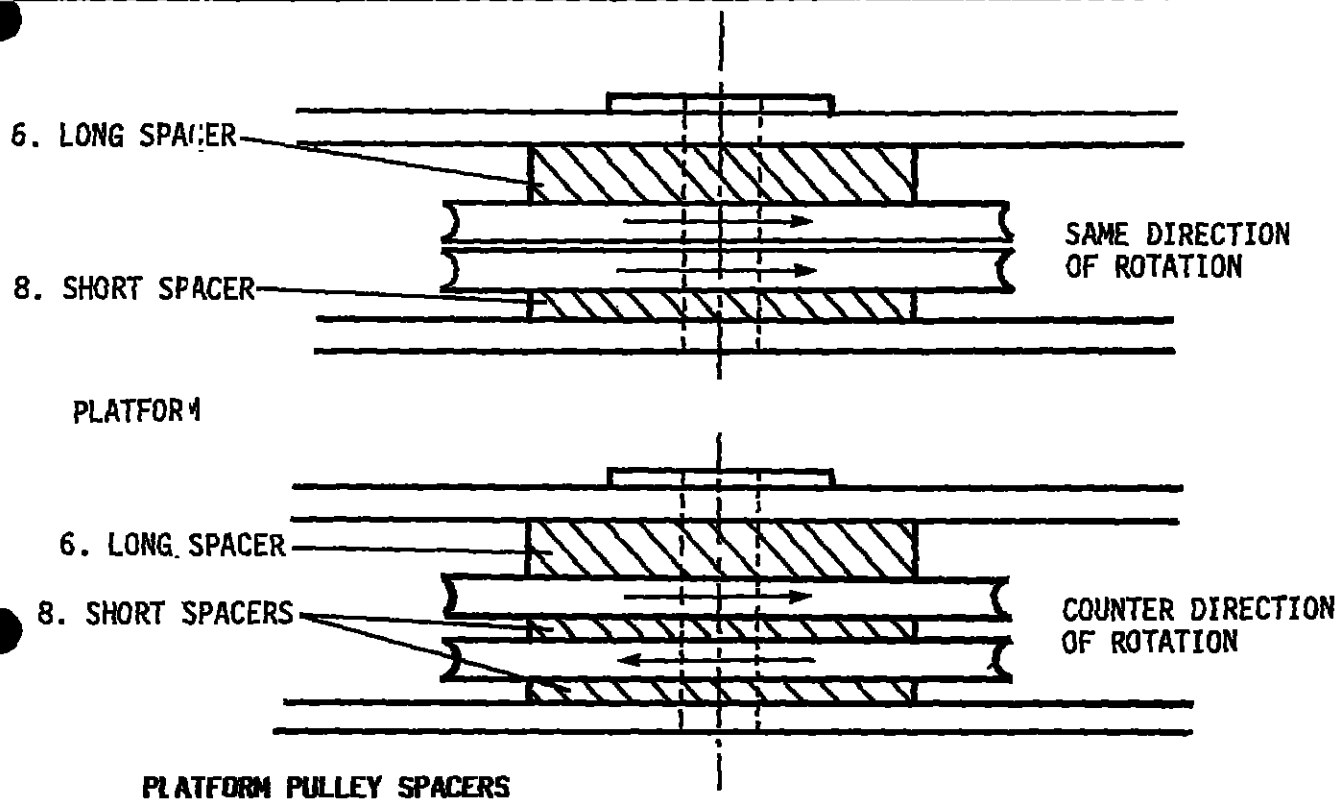


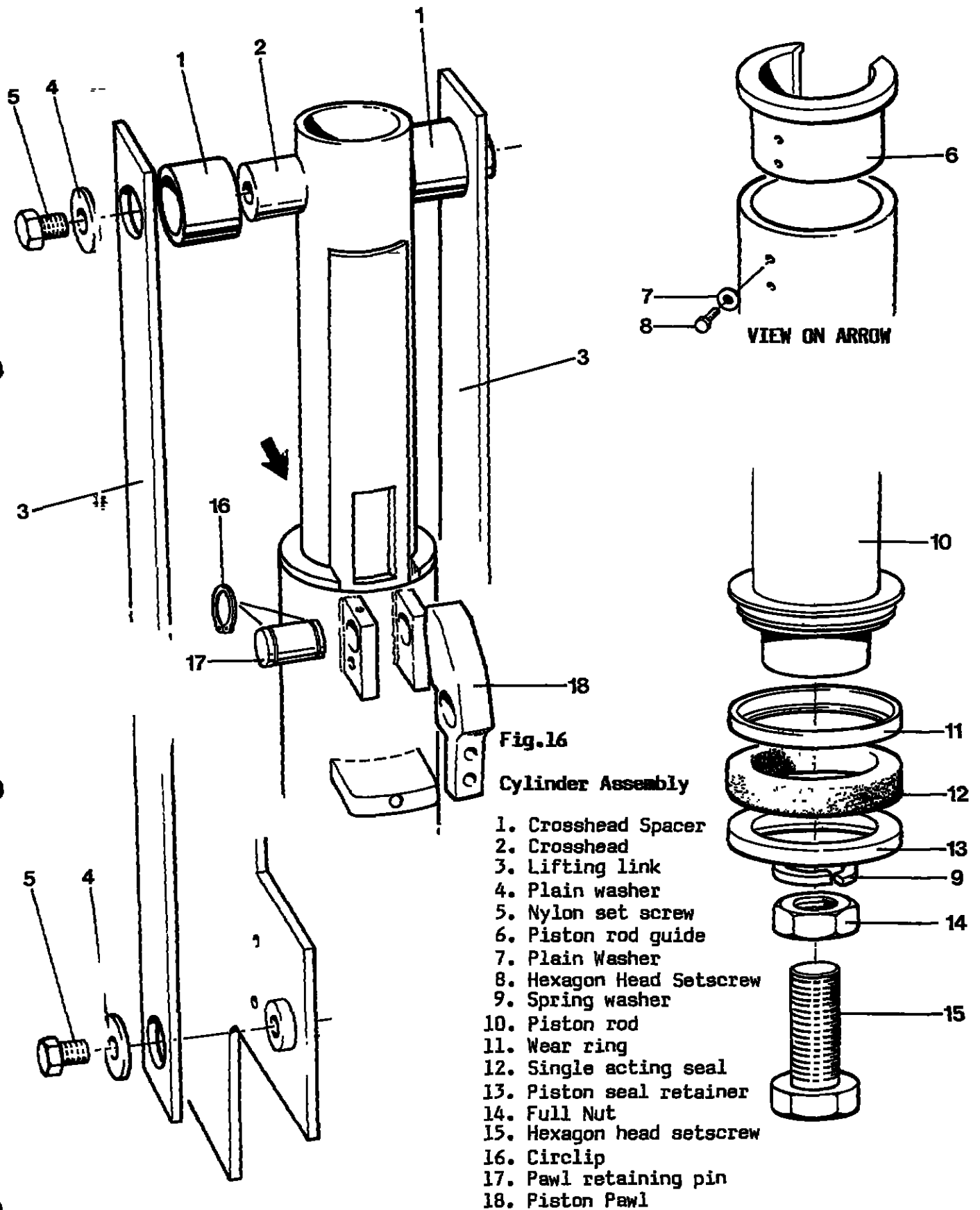
Fig.15c

Triple Pulley Box Spacers

REFER TO FIG NO. 16

## CYLINDER ASSEMBLY

Item No.	Bradbury No.	Description
1	400PJ69	Crosshead Spacer
2	400PD68	Crosshead Pin
3		Lifting Link
	400F150	Standard Lift
	400F194	Lift Blocked Up 50mm
	400P238	Lift Blocked Up 60mm
4	WAS6D05	Plain Washer
5	SCR5D00	Nyloc Set Screw M12 x 16
6	x400F166	Piston Rod Guide
7	WAS3D03	Plain Washer
8	BLTC612	Hexagon Head Setscrew M6 x 12
9	WAS3D06	Spring Washer M20
10	400W018	Piston Rod
11 )	SLS2005 )	Wear Ring
12 )	-- )	Single Acting Seal
13	SLSE004	Piston Seal Retainer
14	NUTC007	Full Nut M20
15	BLT2D50	Hexagon Head Setscrew M20 x 50
16	FSTC010	External Circlip 18 Dia
17	400F088	Pawl Retaining Pin
18	400F087	Piston Pawl



REFER TO FIG NO. 17

### FIXED STOP AND RAMP ASSEMBLY

Item No.	Bradbury No.	Description
1	BLT1225	Hexagon Head Setcrew M12 x 25
	WAS6305	Plain Washer
	FST5304	Floor Fixing Anchor
2		Ramp
	410W015	Model 414 Lift
	420W010	Models 424 and 434 lifts
	410W048	Model 414 Lift, blocked up 50mm
	420W029	Model 424 and 434, blocked up 50mm
3		Chock Ramp
	410W019	Model 410 Lift
4	420W014	Models 420 and 430 Lifts
		Fixed Stop
	410W004	Model 41 Lifts
5	420W004	Models 42 and 43 lifts
	BLT1635	Hexagon Head Setscrew M16 x 35
	WAS3016	Plain Washer M16
	WAS3000	Spring Washer M16
	NUT0002	Full Nut M16

#### Adjustable Platform Components (not shown)

41TW035	Adjustable Platform Ramp
41W037	Chock Pivot
41W062	Fixed Stop

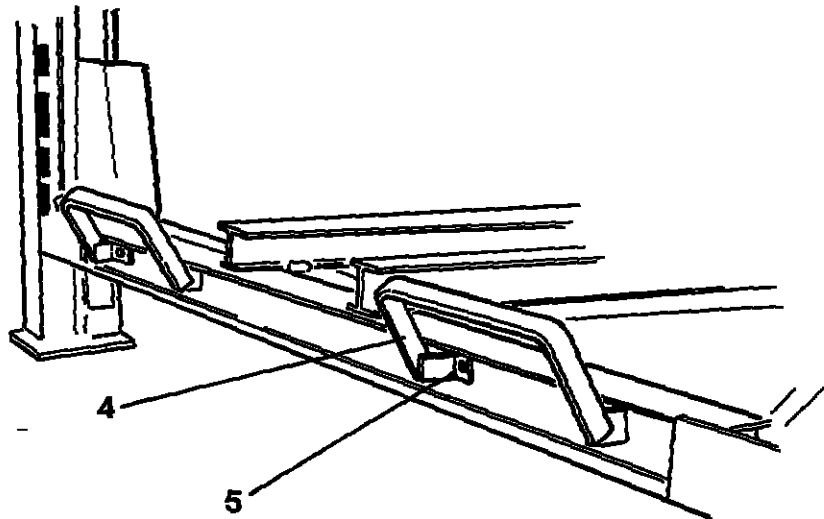
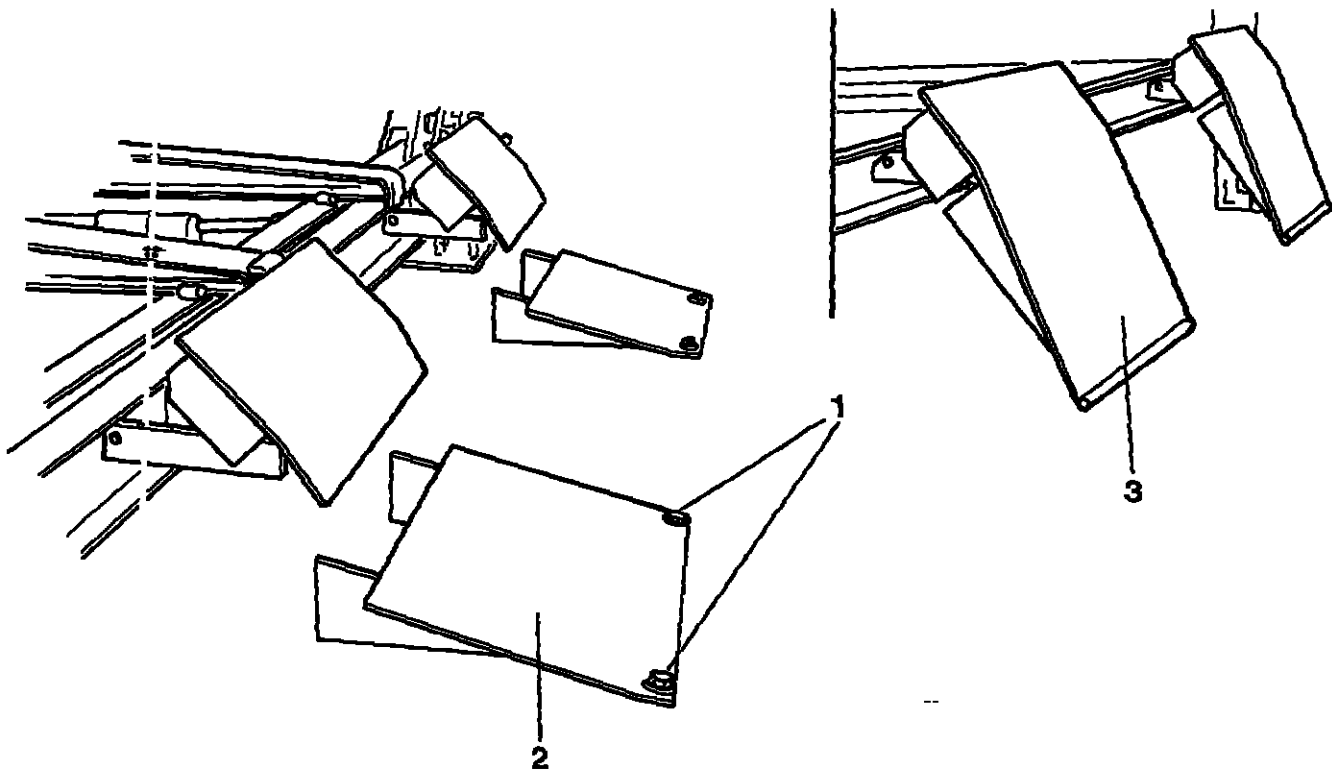


Fig.17

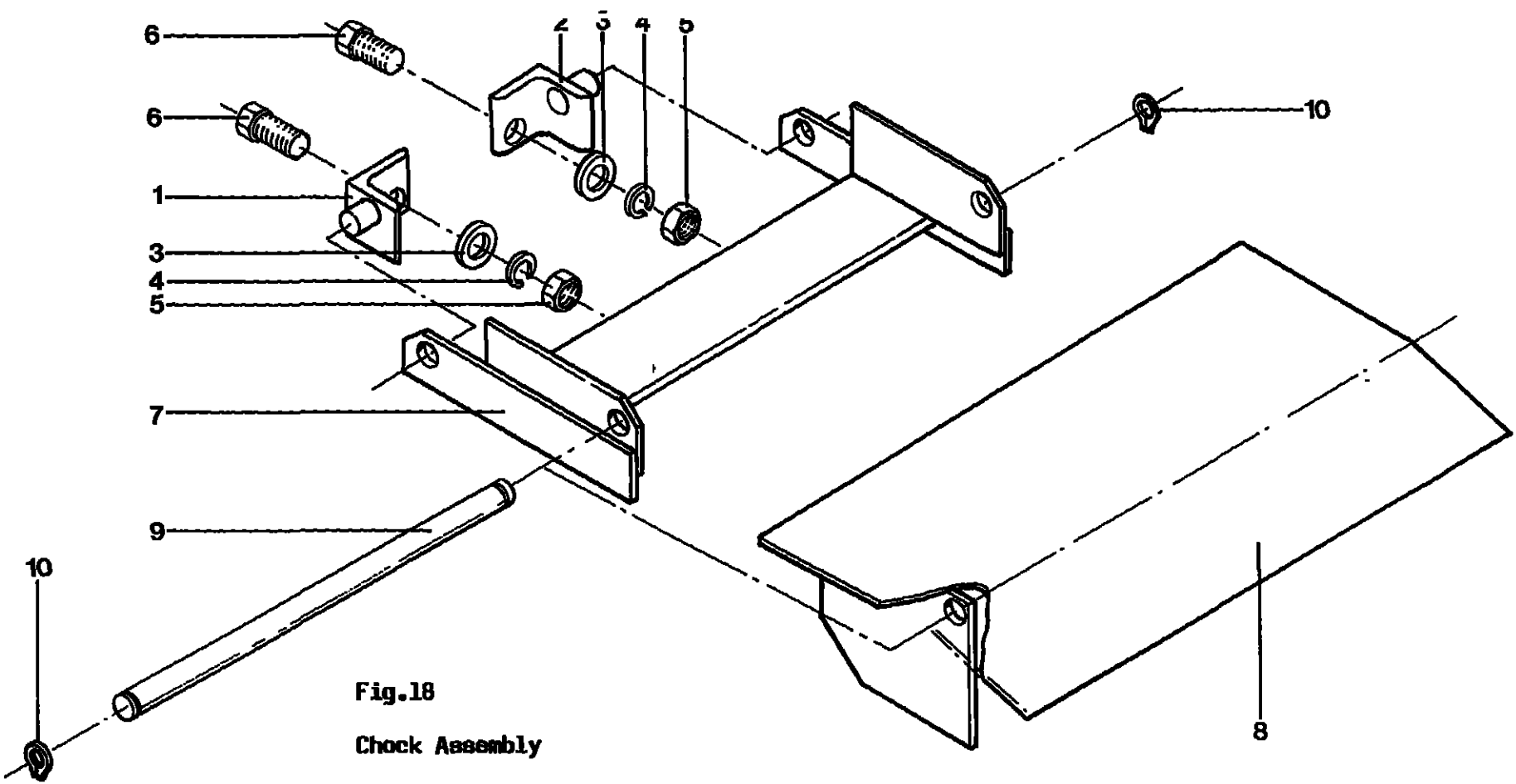
**Fixed Stop and Ramp Assembly**

- 1. Retaining Bolt  
Washer  
Floor Anchor
- 2. Ramp
- 3. Check Ramp
- 4. Fixed Stop
- 5. Fixing Bolt  
Plain Washer  
Spring Washer  
Fill Nut

REFER TO FIG NO. 18

### CHOCK ASSEMBLY

Item No.	Bradbury No.	Description
1	400W026	Chock Mounting Bracket L.H.
2	400W025	Chock Mounting Bracket R.H.
3	WAS0016	Plain Washer M16
4	WAS3000	Spring Washer M16
5	NUT0002	Full Nut M16
6	BLT1635	Hexagon Head Setscrew M16 x 35
7		Chock Bracket
	410W016	Model 41 Lifts
	420W011	Model 42 and 43 Lifts
8		Chock Plate
	410W017	Model 414 Lift
	420W012	Model 424 and 434 Lifts
	410W026	Model 42 and 43 Lifts, Flush Fit
	420W019	Model 42 and 43 Lifts, Flush Fit
9		Chock Pivot
	410P018	Model 41 Lifts
	420P020	Model 42 and 43 Lifts
10	FST0006	External Circlip 16mm Dia.



**Fig.18**  
**Chock Assembly**

- 1. Chock mounting bracket L.H.
- 2. Chock mounting bracket R.H.
- 3. Plain washer
- 4. Spring washer
- 5. Nut
- 6. Bolt
- 7. Chock bracket
- 8. Chock plate
- 9. Chock pivot
- 10. Circlip



Extract from Home Market Terms & Conditions of Sale  
of FKI Bradbury Ltd.

(Overseas customers should refer to their Agent or supplier of equipment who will furnish guarantee terms on request).

**MANUFACTURERS GUARANTEE**

We guarantee our products as free from defects due to faulty material or bad workmanship for a period of 12 calendar months for all products except trolley jacks and pit jacks, for which the guarantee is 6 calendar months. The period of guarantee commences from the date of delivery to the purchaser, either by us or by our distributor. Our liability is limited to the replacement of parts found defective and making good defects found within the prescribed period arising solely from faulty material or bad workmanship, in the products of our own manufacture, properly used solely for the purposes for which they were intended, and not due to wear and tear, misuse, neglect or improper adjustment.

Any product alleged to be defective shall be forwarded to us, carriage paid, immediately the alleged defect is discovered, for identification, examination and report, or if not capable of being so forwarded, notice in writing shall be sent to us immediately. The customer will be charged for engineers time and travelling expenses if a warranty repair is carried out on site, other than for fixed items of equipment such as lifts. If we accept liability the repaired or new product, in replacement, will be delivered free our works. We give no guarantee in respect of any proprietary electrical or other equipment made by other manufacturers, and supplied with our products, but will so far as possible, transfer the benefit of such guarantee, if any, given by such other manufacturers. We are in no circumstances liable for any consequential or other loss or damage arising through any defect in our product. In lieu of any express or implied statutory or other warranties, guarantees, conditions or liabilities (whether as to fitness, quality, standard or workmanship or otherwise) which are hereby excluded, the following provisions shall apply:

- (a) The Purchaser shall not be entitled to rescind the contract or to claim damages on the grounds of any statement whatsoever as to the suitability of the goods for any particular purpose, and the Purchaser assumes responsibility for the capacity and performance of the goods being sufficient and suitable for his purpose, and for his premises being suited to the installation and operation of the plant and machinery. The Purchaser agrees and confirms that apart from the express terms of the contract, no statement or representation has been made by the Company relating to the goods to be supplied under the contract or, if any has been made, he has not relied on it.
- (b) The Company's liability in respect of any defect whether of quality, suitability of performance or otherwise in any goods supplied or for any loss, injury or consequential damage attributable thereto is limited to the terms of this guarantee and the Purchaser hereby acknowledges:
  - (i) that it purchased the goods in a competitive market and that the bargaining power of the Company was in no way a relevant factor in the purchase of the goods from the Company.
  - (ii) that the Purchaser knows the extent of the meaning of this Condition and the limitations thereby imposed by it under Sections 13, 14 and 15 of the Sale of Goods Act 1893.

Our guarantee does not apply should equipment be operated or stored under adverse conditions e.g. outside installations or in areas used for steam cleaning or pressure washing etc.