



BRADBURY

Revised on  
22.11.85

# 40 SERIES

## FOUR POST LIFTS

MODELS 410, 414 & 420  
424, 430 & 434

### ILLUSTRATED SPARE PARTS LIST

12WIKFIT REGULATION 1206100RNKD

JAN 86

**40 SERIES****ILLUSTRATED SPARE PARTS LIST****INDEX**

Plate No.	Description	Page
1	General view of lift	7.2
2	Anti-toe trap bar assemblies	7.4
3	Layout of cables and set screw	7.6
4	Wheel-free pawl assembly	7.8
5	Hydraulic hose assembly	7.10
6	Safety pawl lever and limit switch	7.10
7	Power pack assembly	7.12
8	Valve block assembly	7.14
9	Safety catch gear and single pulley assembly	7.16
10	Triple pulley assembly	7.18
11	Control panel	7.20
12	Power column and piston assembly	7.22

**NOTE:** It is important to check model type and serial number before ordering spare parts.

**IMPORTANT - Replacement Parts -** It is essential for the safe and reliable performance of the product that only genuine Bradbury or Transervice replacement parts are fitted.

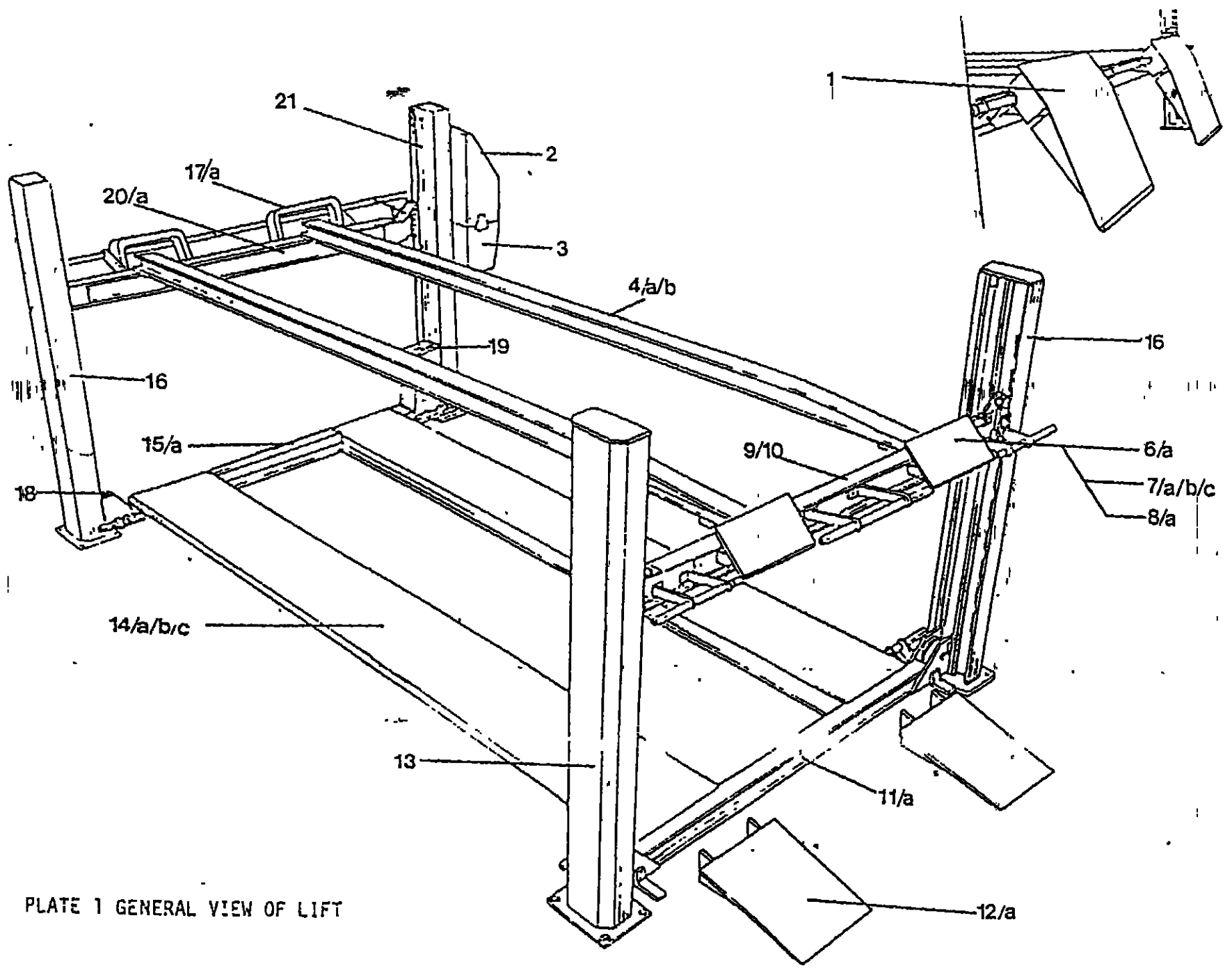


PLATE 1 GENERAL VIEW OF LIFT

Issue: 1  
Dated: January 1986  
Page: 7.2  
TCS 823



REFER TO PLATE No.1

GENERAL VIEW OF LIFT

Item No.	T'service Stock No.	Bradbury No.	Description
1	239592	410W019	Chock ramp 410/414 only
2	204512	BXX0095	Power pack cover
3	226371	BXX0097	Pump reservoir
4	239593	414G003	Wheel-free longitudinal beam - reverse off 414
4a	---	424G003	" " " " " 424
4b	---	434G001	" " " " " 434
5	239594	414G008	" " " " drive through 414
5a	---	424G013	" " " " " 424
5b	---	434G003	" " " " " 434
6	204514	410W017	Ramp plate 410/414
6a	204515	420W012	" " 420/424/430/434
7	204516	400W025	Chock Mounting Bracket, RH 410/414/420/424/430/434
7a	204517	400W026	" " " LH 410/414/420/424/430/434
7b	---	410W016	Chock Bracket, 410/414
7c	---	420W011	" " 420/424/430/434
8	203480	410P018	Pivot pin circlip 410/414
8a	203481	420P010	Pivot pin circlip 420/424/430/434
9	239804	414W001	Wheel-free beam weld assy. aux. end 414
10	---	424W001	" " " " " 424/434
11	239805	410W003	Beam assy. aux. end 410/414
11a	---	420W003	" " " " 420/424/430/434
12	204518	410W015	Ramp plate 410/414
12a	204519	420W010	" " 420/424/430/434
13	239806	400W002	LH aux. column assy.
14	239807	410W001	Plain platform 410/414
14a	239808	420W001	" " " 420/424
14b	239809	430W001	" " " 430/434
15	239810	410W002	Beam assy. power end 410/414
15a	---	420W002	" " " " 420/424/430/434
16	239811	400W001	RH aux. column assy.
17	239812	410W004	Fixed stop 410/414
17a	239818	420W004	Fixed stop 420/424/430/434
18	204520	400W017	Pulley box cover, single
19	204521	400P096	" " " triple
20	---	414W002	Wheel-free beam assy. power end 414
20a	---	424W002	" " " " 424/434
21	239813	400G002	Cylinder and piston rod assy.
22	219307	P40LK	Lighting unit (not shown) optional kit

REFER TO PLATE No.2

**ANTI-TOE TRAP BAR ASSEMBLIES**

Item No.	T'service Stock No.	Bradbury No.	Description
23	239596	410W013 414W006 420W008 424W006	Anti-toe trap bar aux. end LII outer Model 410 Model 414 Models 420/430 Models 424/434
24	239595	410W014 414W007 420W009 424W007	Anti-toe trap bar aux. end LI inner Model 410 Model 414 Models 420/430 Models 424/434
25	239597	400W027	Anti-toe trap bar aux. end centre All models
26	See items 24		Anti-toe trap bar aux. end RII outer
27	See items 23		" " " " " " RII inner
28	239800	410W011 414W004 420W006 424W004	Anti-toe trap bar power end L outer Model 410 Model 414 Models 420/430 Models 424/434
29	See items 23		Anti-toe trap bar power end LI inner
30	239802 2510	410W012 414W005 420W007 424W005	Anti-toe trap bar power end LII inner (triple box) Model 410 Model 414 Models 420/430 Models 424/434
31	239595	410W014 414W007 420W009 424W007	Anti-toe trap bar power end LII outer Model 410 drive through lifts only Model 414 " " " " Models 420/430 " " " " Models 424/434 " " " "
32	239597	400W027	Anti-toe trap bar power end centre All models drive through lifts only.
33		410W022 414W009 420W017 424W009	Anti-toe trap bar power end LII outer (triple box) Model 410 drive through lifts only Model 414 " " " " Models 420/430 " " " " Models 424/434 " " " "

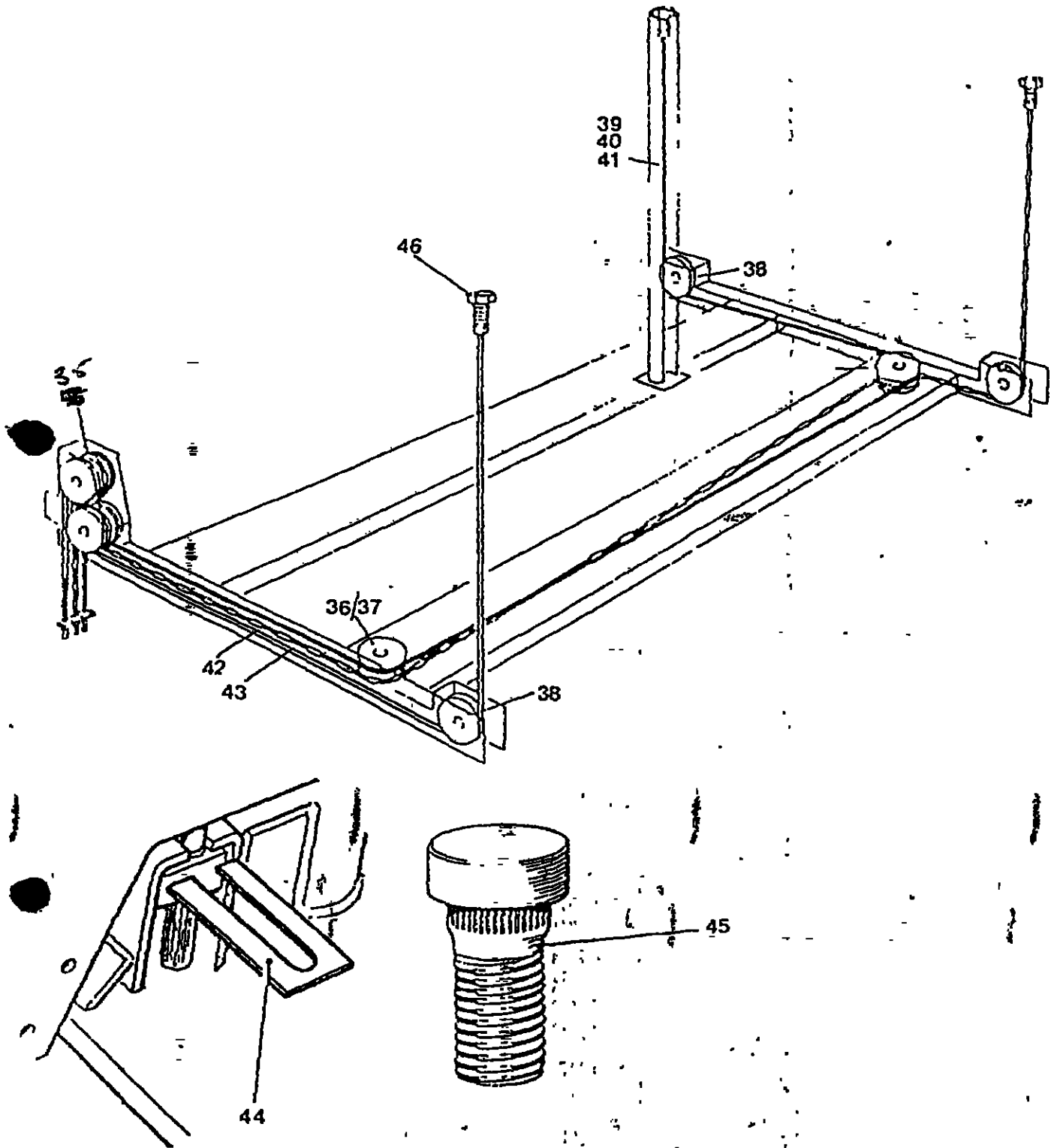


PLATE 3 LAYOUT OF CABLES & SETSCREW

REFER TO PLATE No.3

## LAYOUT OF CABLES

Item No.	T'service Stock No.	Bradbury No.	Description
35	204521	400P096	Triple pulley box cover
36	222452	---	Model 41 Platform pulley kit, contains: 4 x pulleys 2 x pins 3 x spacers short 2 x spacers long 2 x Taptite screws
37	222457	---	Models 42 & 43 Platform pulley kit, contains: 4 x pulleys 2 x pins 3 x spacers short 2 x spacers long 2 x Taptite screws
38	204520	400W017	Single pulley box cover
39	217418)	410G004CA	Cable kits : Model 410 cables
	)	410G004CA	Model 414 cables
40	217419 )	420G004CB	Model 420 cables
	)	420G004CB	Model 424 cables
41	217420)	430G002CC	Model 430 cables
	)	430G002CC	Model 434 cables
NOTE: Cables are only supplied in sets - and should only be fitted in sets.			
42	204525	410W007	Cable covers 410/414
43	204526	420W005	Cable covers 420/424/430/434
44	222460	400P047	Cable retaining anchor plate (2 off)
45	222461	BXX0081, WAS0016, WAS3000, NUT0002	Knurled shank setscrew, plain washer, spring washer and nut
46	246319	NUT0008	Cable retaining nuts

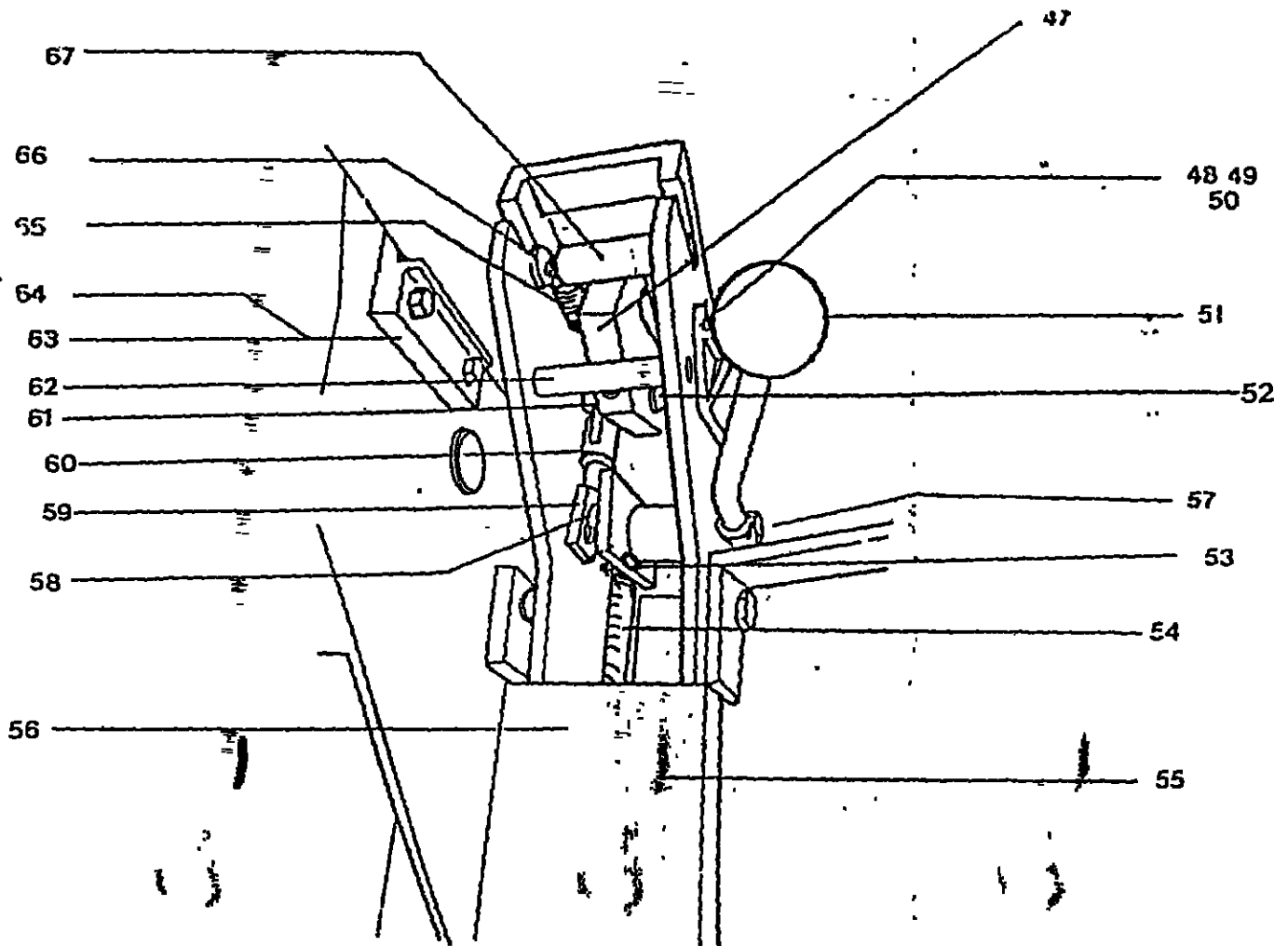


PLATE 4 WHEEL FREE PAWL ASSEMBLY



REFER TO PLATE No.4

WHEEL-FREE PAWL ASSEMBLY

Item No.	T'service Stock No.	Bradbury No.	Description
47	239814	404W001	Wheel-free pawl
48	204528	BXX0111	Guide
49	221595	SCR4505	Taptite screw
50	221596	WAS6018	Washer
51	218338	MXX0030	Lever knob
52	203482	404P006	Pawl link pivot
53	222455	---	Pin, washer and circlip kit
54		414P004	Operating rod aux. end 414
		424P004	" " " " 424/434
		414P005	" " power " 414
		424P005	" " " " 424/434
55	239804	414W001	Beam weld assy. aux. end 414
		424W001	" " " " 424/434
56	239816	414W002	" " " power " 414
		424W002	" " " " 424/434
57	218340	404W002	Lever weld assy. and roll pin
58	222453	WAS0010/FST0013	Kit contains washer and circlip
59	221597	404W004	Slotted adjuster weld assy.
60	221598	404W003	Female " " "
61	222454	WAS0010/FST0013	Kit contains washer and circlip
62	203484	FST2011	Pawl stop pin
63	240318	BXX0066	Guide block inner
64	240319	BXX0067	" " " outer
65	230338	SPR2004	Tension spring
66	203486	404P008	Guide roller
67	203485	404P007	Detent roller

15312

KWIKFIT AIR NEG  
IN Power Box

206100RNKD

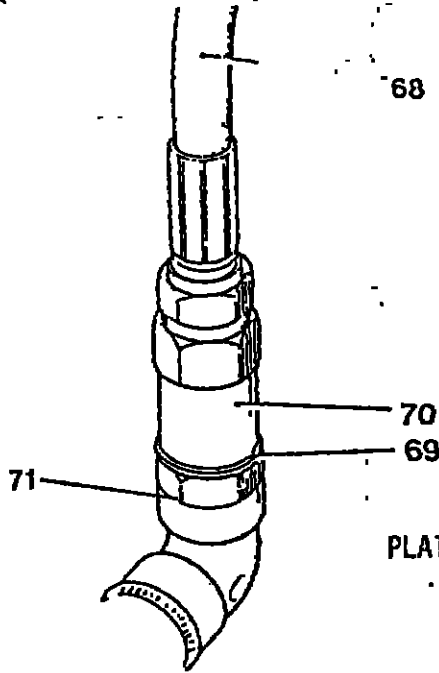


PLATE 5 HYDRAULIC HOSE ASSEMBLY

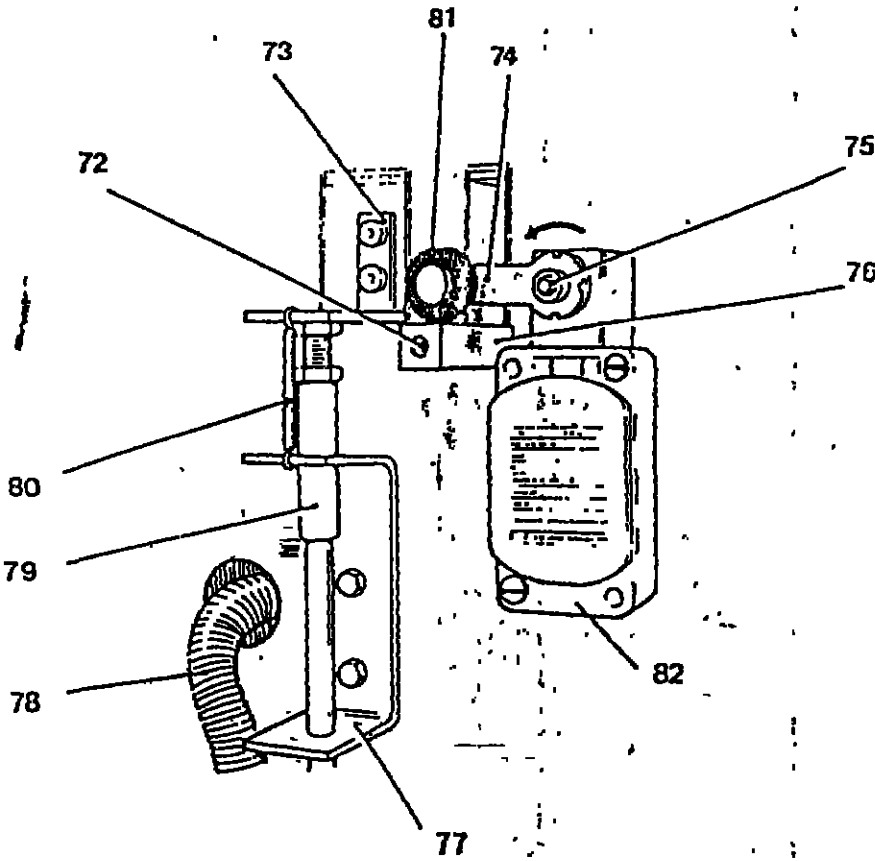


PLATE 6 SAFETY PAWL LEVER & LIMIT SWITCH

REFER TO PLATE No.5

**HYDRAULIC HOSE ASSEMBLY**

Item No.	T'service Stock No.	Bradbury No.	Description
68	227372	HXX30001	Hose assembly
69	215420	SLS6000	Dowty seal (2 off)
70	235379	HXX0001	Surge valve
71	202322	HXX3002	Adaptor

REFER TO PLATE No.6

**SAFETY PAWL LEVER & LIMIT SWITCH**

72	221599	SCR2009	Allen screw
73	204529	BXX0080	Pawl lever bracket
74	239819	---	Limit switch arm
75	246300	---	Spindle nut
76	218341	400P091	Knock-off arm
77	204530	400P132	Spring bracket
78	227373	CDT0003	Oil return pipe
79	235370	400P133	Plunger
80	230339	SPR2003	Spring
81	203487	---	Roller
82	231335	SWI4002	Limit switch

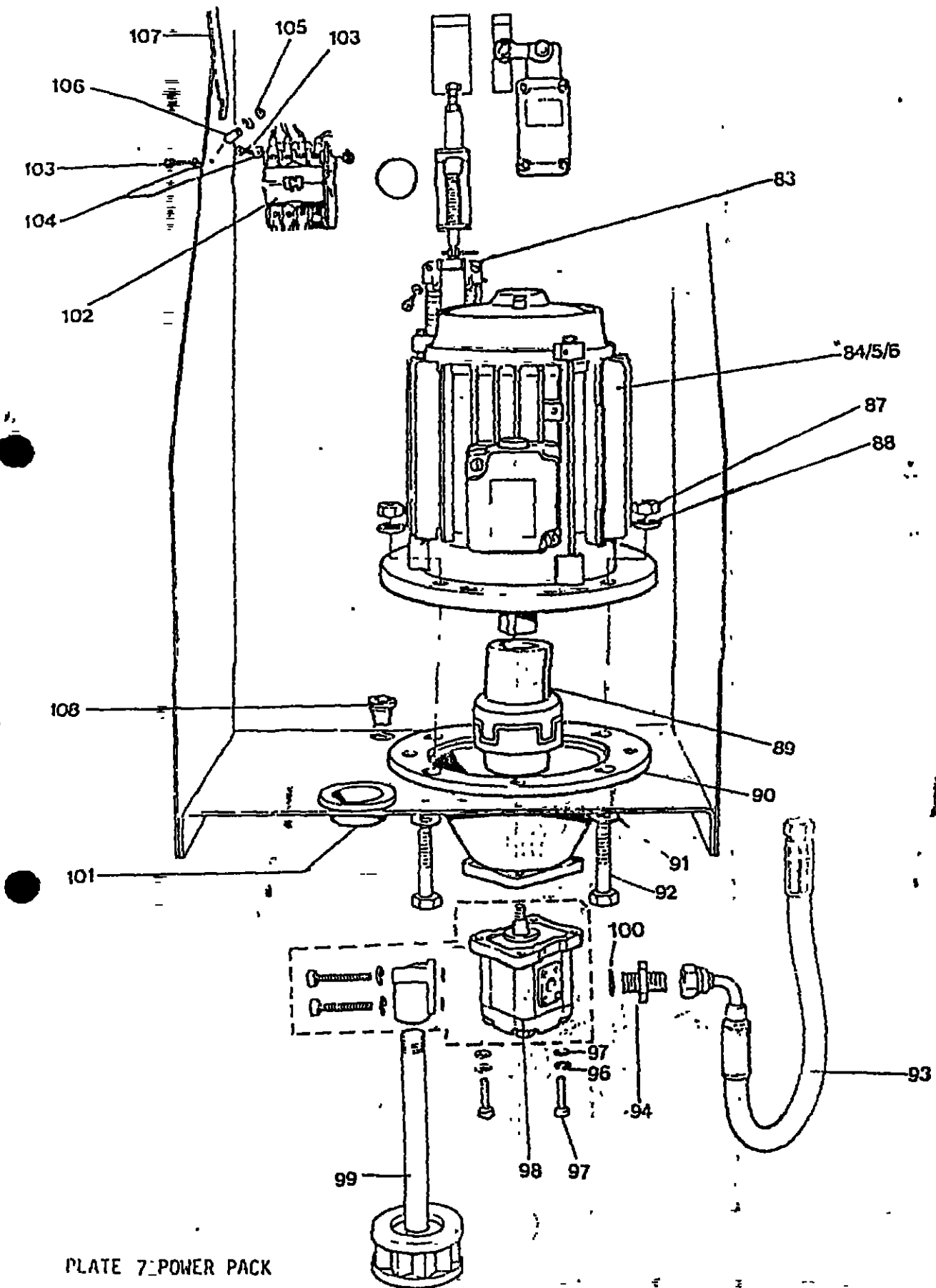


PLATE 7-POWER PACK

REFER TO PLATE No.7

## POWER PACK ASSEMBLY

Item No.	T'service Stock No.	Bradbury No.	Description
83	231304	TRN3001	Solenoid -
84	224326	MOT0014	Motor 3 phase 380V 1.8kW
85	224327	MOT0010	Motor 3 phase 220V 1.5kW
86	224328	MOT6001	Motor 1 phase 220V 1.1kW
87	244017	NUT0004	Nut - M10 - Full
88	244145	WAS3001	Washer - M10 - Spring
89	217421	CPL4001	Coupling D80
90	204531	CPL4000	Bellhousing
91	244141	WAS0010	Washer - M10 - Plain
2	243467	BLT1050	Bolt - M10 x 50 - H/T
13	227326	HXX3000	Hose assy - short
94	202308	HXX3002	Straight adaptor assy
95	243443	SCR3512	Screw - M6 x 25 - cap head
96	244128	WAS3003	Washer - M6 - spring
97	244125	WAS0006	Washer - M6 - plain
98	226375	PMP0002	Pump & elbow assy.
99	213303	HXX7002	Strainer
100	202307	SLS6000	Dowty seal
101	227336	PLG0003	Plug
102	231359	SWI1012	Contacteur
103	243466	BLT0420	Set screw - M4 x 20
104	244113	WAS0004	Washer - M4 - plain
105	244006	NUT6000	Locknut - M4
106	221496	MX0026	Lid spacer
107	239423	400SD16	Lid stay
108	215378	PLG3003	Grommet
09	235371	PNE0001	Air valve (mechanical locking - not shown)
110	227374	---	Pipe assembly (mechanical locking - not shown)

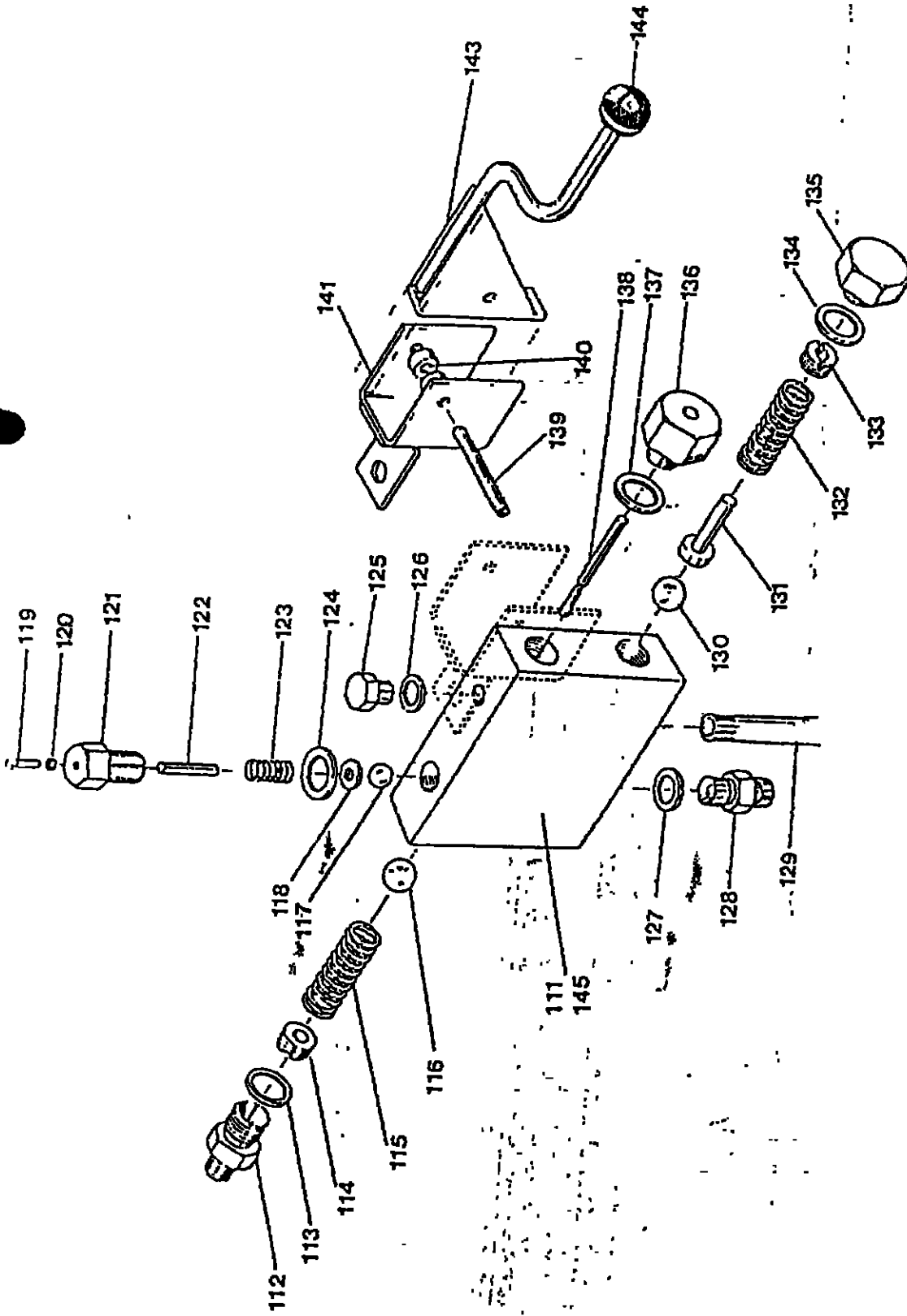


PLATE 8 VALVE BLOCK ASSEMBLY



40 SERIES LIFTS  
SECTION 7 ISPL

REFER TO PLATE No.8

VALVE BLOCK ASSEMBLY

Item No.	T'service Stock No.	Bradbury No.	Description
111	235372	400S013	Valve block assembly - complete
112	227375	HXX3005	Cylinder hose union
113	215421	SLS6003	Dowty seal
114	235376	400P1	Spring retainer
115	230340	SPR0012	Spring
116	203488	MXX0028	Ball
117	203489	MXX0028	Ball
118	246304	WAS6017	Washer
119	243084	BLT0520	Bolt - 5mm x 20
120	244013	NUT0006	Nut - 5mm - locking
121	246305	400P115	Non return valve cap
122	246301	400P114	" " " plunger
123	230341	SPR0007	Spring
124	215421	SLS6001	Dowty seal
125	246306	HXX3003	Plug
126	215422	SLS6002	Dowty seal
127	215423	SLS6000	Dowty seal
128	227376	HXX3002	Pump union
129	227377	400P123	Valve block return pipe
130	203488	MXX0028	Ball
131	235373	400P124	Plunger
132	230340	SPR0009	Spring
133	235376	400P125	Spring adjuster
134	215421	SLS6001	Dowty seal
135	235377	400P126	Valve cap
136	235378	400P122	Valve cap
137	215421	SLS6001	Dowty seal
138	235374	400P175	Lowering valve plunger
139	243572	FST2002	Roll pin 8 x 50
140	246302	400P199	Spacers (2 off)
141	204532	400W028	Handle bracket
143	218342	400W023	Lowering handle
144	218343	MXX0027	Knob
145	235375	400P127	Valve block (housing)

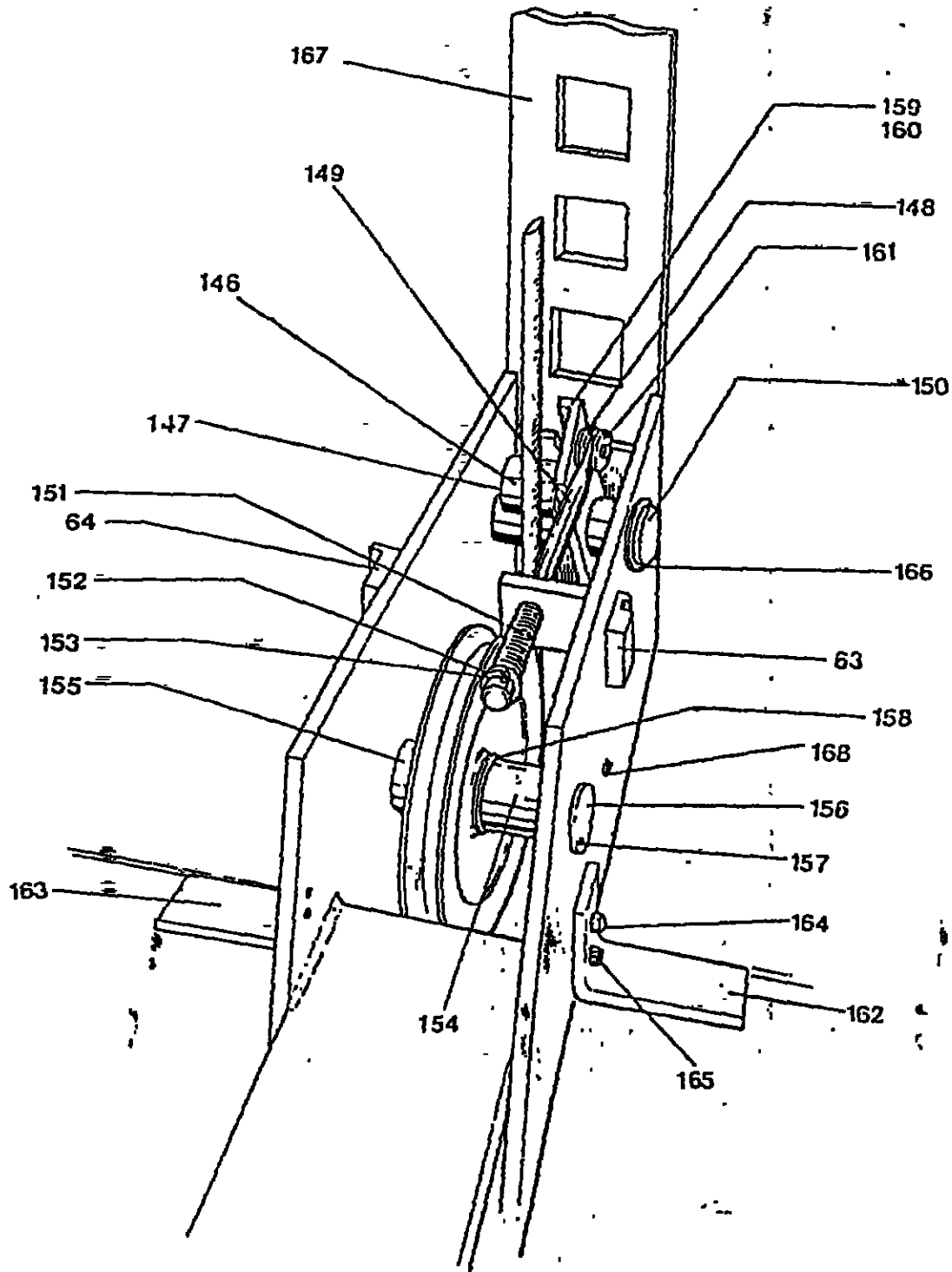


PLATE 9 SAFETY CATCH GEAR &amp; SINGLE PULLEY ASSEMBLY



0732 302 226.

REFER TO PLATE No.9

## SAFETY CATCH GEAR &amp; SINGLE PULLEY ASSEMBLY

Item No.	T'service Stock No.	Bradbury No.	Description
146	203490	400P080	Cable roller
147	246307	FST0002	Circlip
148	246313	WAS0010	Washer (3 off)
149	239820	400P071	Actuator rod
150	203491	400P072	Pawl pivot pin
151	230342	SPR0006	Spring
152	246314	WAS0012	Washer
153	246308	FST1002	Split pin
154	246309	400P059	Spacers - long
155	246310	400P060	Spacers - short
156	203492	400W014	Pulley pin
157	246311	SCR4506	Taptite screws
158	217422	410S001	Single pulley & bush
159	239821	400W020	Safety pawl - R/H
160	239822	400W019	" " L/H
161	246312	FST0002	Circlip
162	204533	404P021	Beam bracket - L/H
163	204534	404P011	" " R/H
164	246303	BLT1020	Hex bolt
165	246320	SCR3502	Allen bolt
166	246321	FST0008	Circlip (2 off)
167	239817	400W009	Column safety rack weld assy.
168	246322	FST2009	Roll pin
63	240318	BXX0066	Guide block, inner
64	240319	BXX0067	" " outer

SMALL BORE PULLEY 217422  
TESS T1443

SMALL BORE P.W. T1442

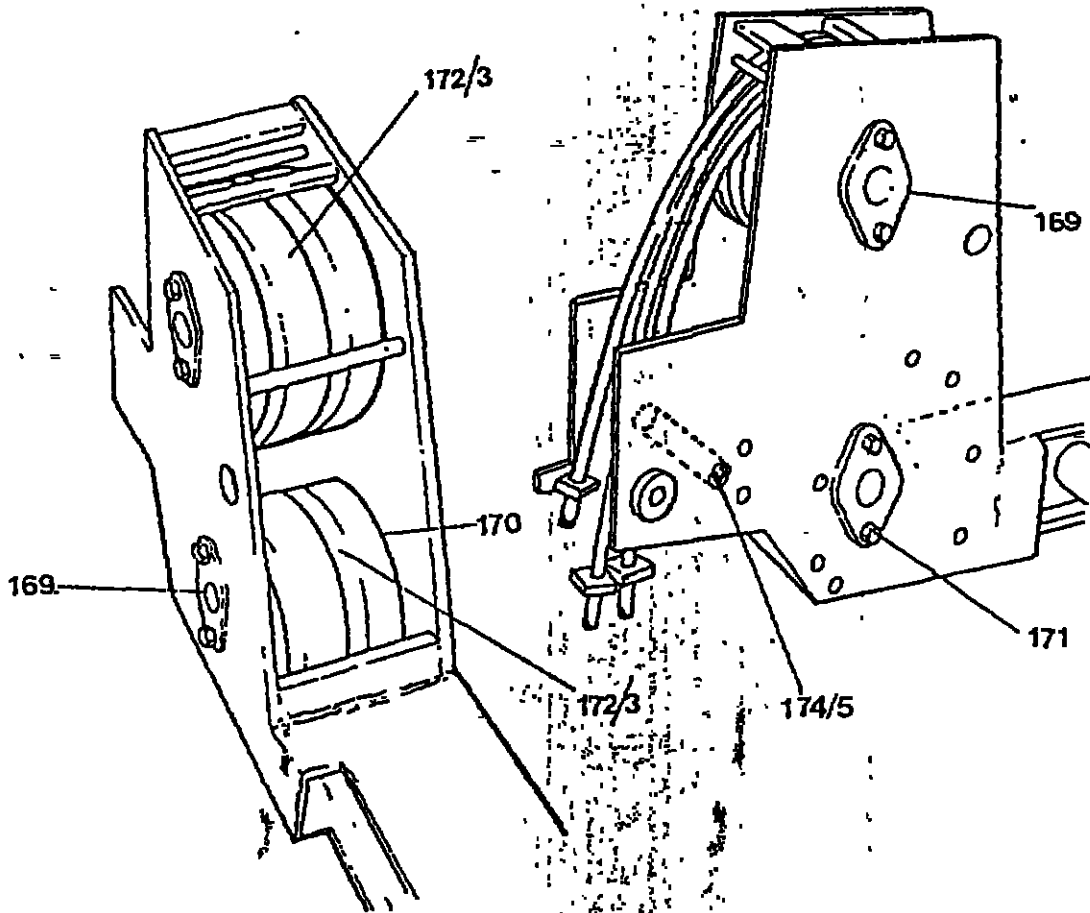


PLATE TO TRIPLE PULLEY BOX ASSEMBLY

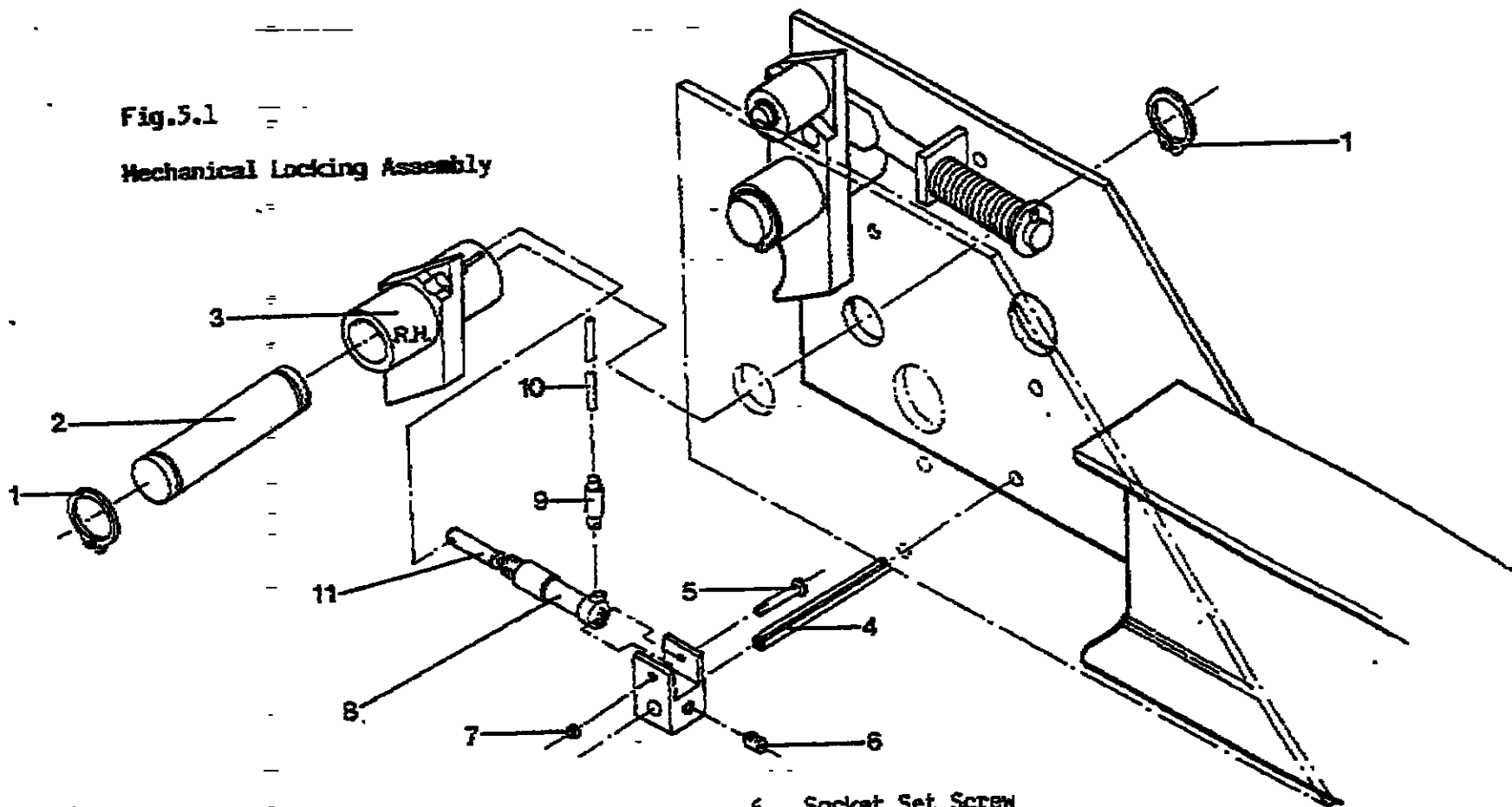
REFER TO PLATE No.10

## INSTALLATION OF TRIPLE PULLEYS

Item No.	T'service Stock No.	Bradbury No.	Description
169	203493	400W015	- Pulley pins
170	246315	400P058	- Pulley spacers
171	246311	SCR4506	- Taptite screws
172	222458	---	Model 41 - Triple pulley kit, contains: 6 x pulleys 2 x short spacers 2 x long spacers 2 x pins 4 x Taptite screws
	222459	---	- Models 42 & 43 - Triple pulley kit, contains: 6 x pulleys 2 x short spacers 2 x long spacers 2 x pins 4 x Taptite screws
174	240320	400P094	Roller
175	203494	400P095	Roller spindle

Fig. 5.1

Mechanical Locking Assembly



- |  |                                 |
|--|---------------------------------|
| 1. Circlip                                       | 6. Socket Set Screw             |
| 2. Safety Pawl Pin                               | 7. Nyloc Nut                    |
| 3. Mechanical Locking Pawl R.H. 1 reqd. 400 W 30 | 8. Air Cylinder                 |
| L.H. 2 reqd. 400 W 30.                           | 9. Straight Connector           |
| 4. Roll Pin                                      | 10. Air Pipe                    |
| 5. Set Screw                                     | 11. Air Cylinder Piston Rod End |

20 APR 1967

GIVEN TO ENGINEERS AGAIN 12-3-96 PO/IS/KE/PS/JS/JB  
 5 5-96 PS

SUBJECT:- PARTS LIST FOR 40 SERIES MECHANICAL LOCKING.

PLEASE PUT THIS MEMO NEXT TO PAGE 5-8 IN SECTION 5 SPECIALIST MAINTENANCE:-

DRAWING NUMBER	DESCRIPTION OF PART	TRANSERVICE NUMBER	BRADBURY NUMBER
	T <sup>o</sup> Pipe connector	227388	C PL 0005
1	CIRCLIP	246321	
2	SAFETY PIN	203491	400P072
3	LOCKING PAWL R/H T1972	239852	400W030
3	LOCKING PAWL L/H T1973	239853	400W031
4	ROLL PIN T1574	246332	
6	SET SCREW T1974	121018	
8	AIR CYLINDER T1877	227380	
9	AIR PISTON COUPLING T?	227378	
10	AIR PIPE T?	227381	
11	PISTON ROD END T1787	227382	
CABINER PLASTIC	AIR SOLENOID	235371	
PIPE	STRAIGHT COUPLING	227379	
12	TRUNON T1976	204539	400P181
	ADAPTOR SOLENOID	127021	
	MECHANICAL LOCKING KIT	222469	

#032 P03

27-APR-94 WED 10:57 ID:TESS & JOHN SIKELTON FAX NO:0788 890236

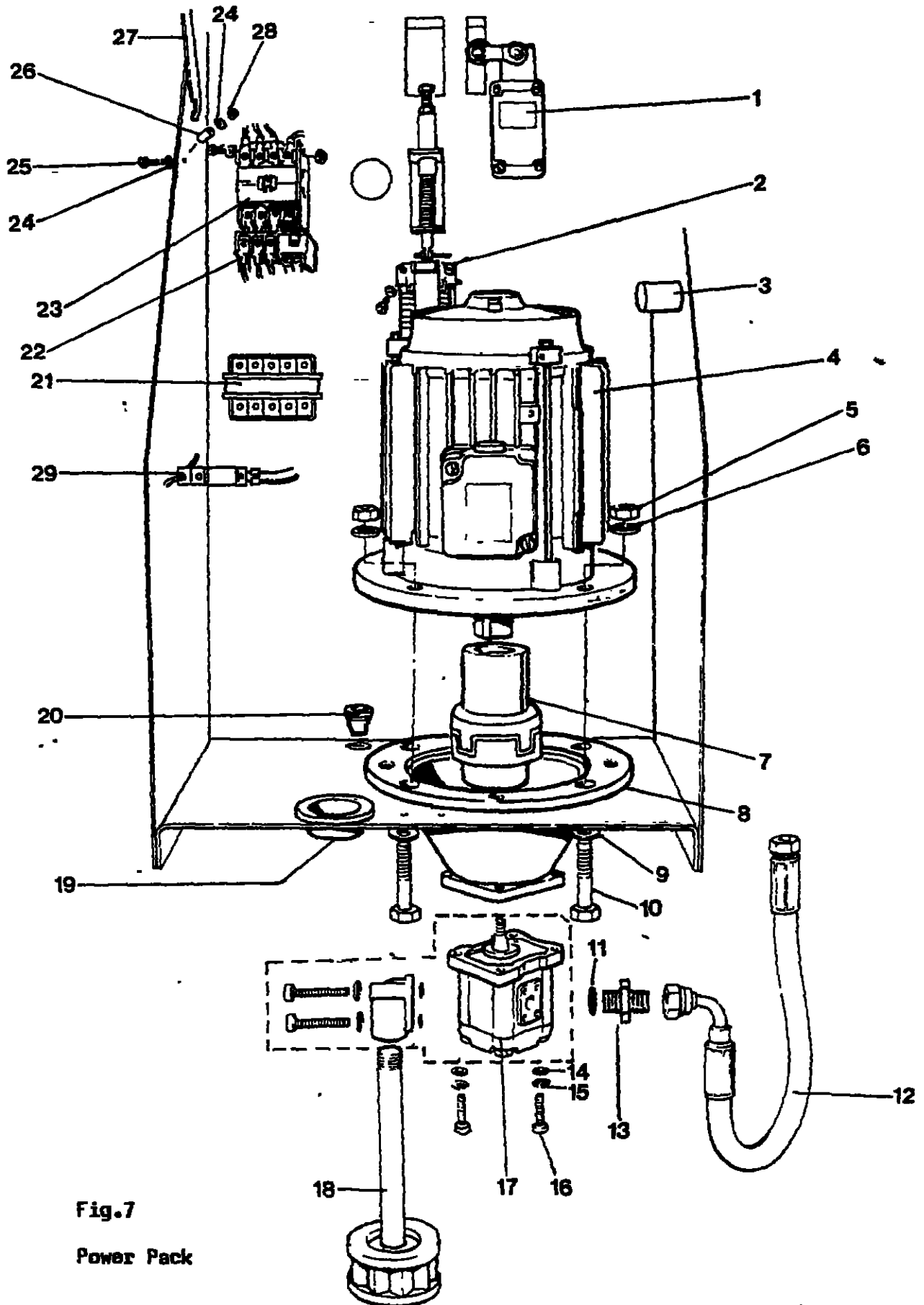


Fig.7  
Power Pack

REFER TO FIG No.7

### POWER PACK

Item No.	Bradbury No.	Description
22	(TRN0006) - xSWI2504 xSWI2501	Plain Washer M5 Thermal Overload Model 41,42 and 43 Lifts, 3ph and 1ph Models 41,42 and 43 C.S.A. Lifts, 3ph and 1ph
23	- SWI1012 SWI1013 SWI1014 SWI1008 SCRO013 WAS0004 NUT6000	Contactor 3ph U.K. Market Models 41,42 and 43 Lifts 1ph U.K., Models 41,42 and 43 export 24v Controls Models 41,42 and 43 Lifts 346V Models 41,42 and 43 Lifts Cheese Head Screw M4 x 16 Plain Washer M4 Self Locking Nut M4
24	WAS0004	Plain Washer M4
25	BLT0420	Hexagon Head Set Screw M4 x 20
26	MXX026	Spacer
27	x4005016	Lid Stay
28	NUT6000	Self Locking Nut M4
29	PNE0001 WAS0017 SCRO006	Solenoid Valve Plain Washer M3 Cheese Head Screw M3 x 12

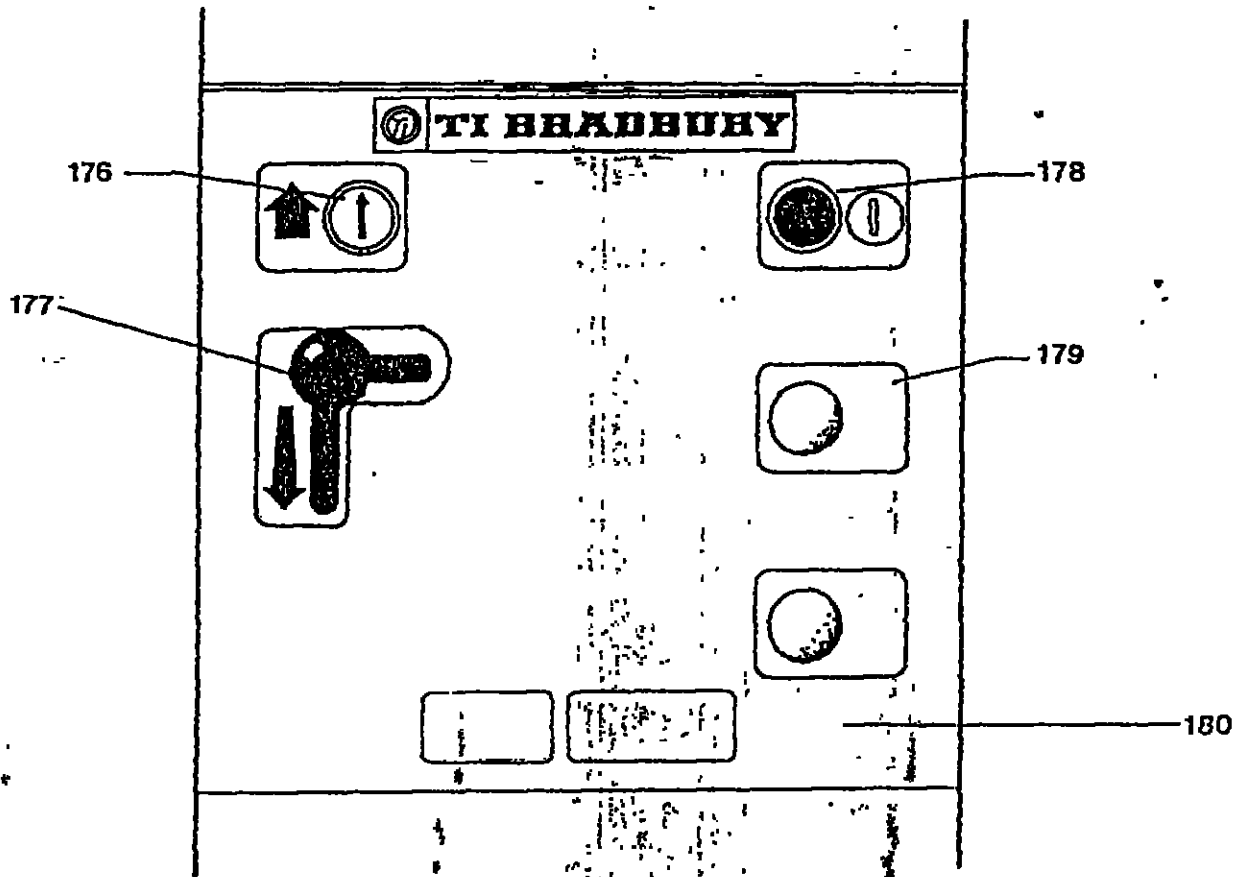


PLATE 11 CONTROL PANEL



REFER TO PLATE No. 11

## CONTROL PANEL

Item No.	T'service Stock No.	Bradbury No.	Description
176	231560	SWI5500	Button assy - UP
177	218342	See Plate 8	Handle assembly
178	231561	SWI5501 — <i>14-58</i>	Button assy - MASTER
179	231562	SWI5504	Lighting switch (optional)
180	237329	400S026	Panel assy

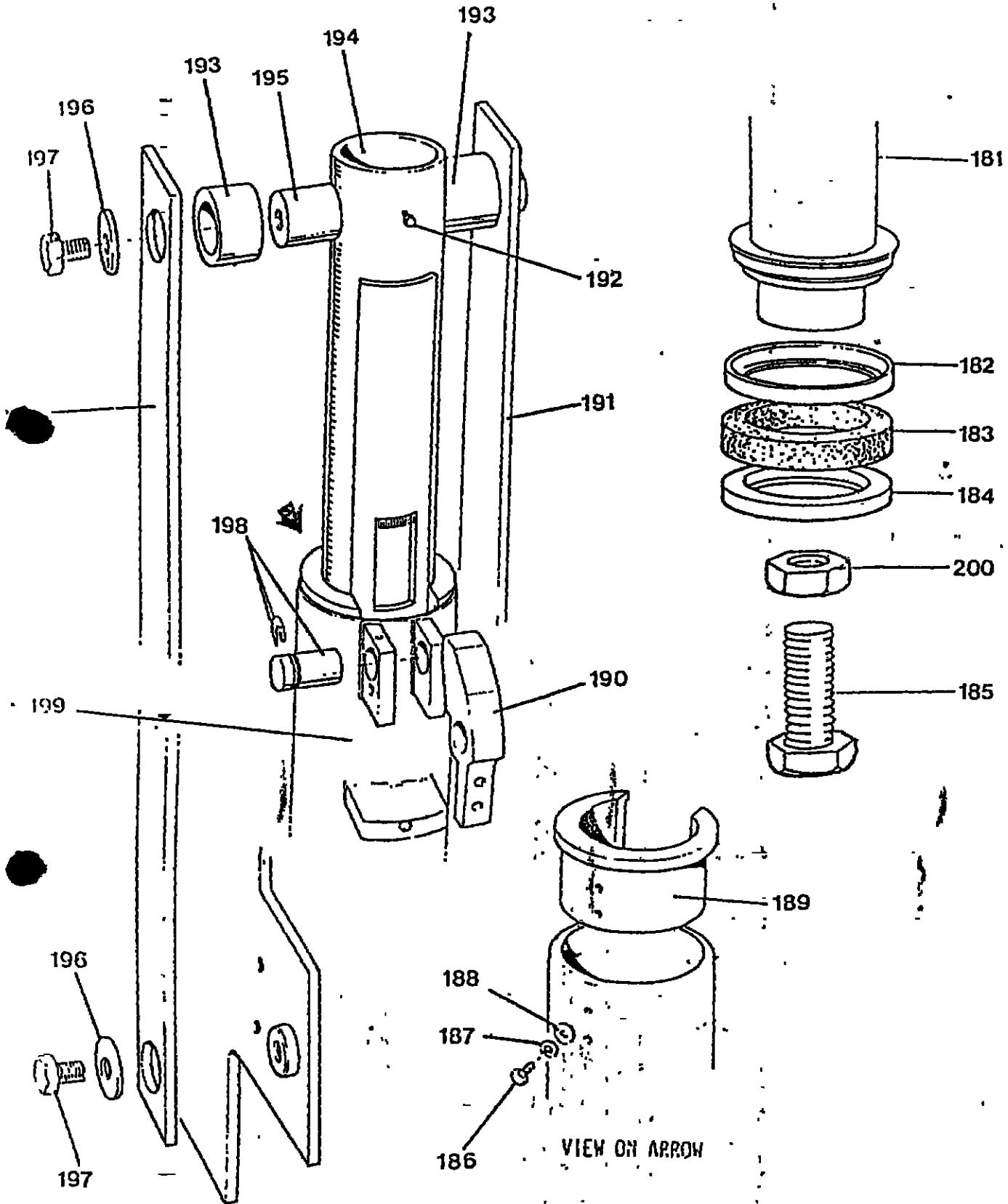


PLATE 12 POWER COLUMN & PISTON ASSEMBLY

REFER TO PLATE No.12

POWER COLUMN & PISTON ASSEMBLY

Item No.	T'service Stock No.	Bradbury No.	Description
181	226372	400W018	Piston rod RAM assy
182	215424	SLS2005	Wear ring
183	215425	SLS2005	Seal kit
184	246316	SLS8004	Retainer
185	246323	BLT2050	Piston bolt retainer
186	221338	BLT0612	Set screw - M6 x 12 (2 off)
187	244128	WAS3003	Washer - M6 - spring
188	244125	WAS0006	Washer - M6 - plain
189	226332	BXX0098	Piston rod guide
190	239396	400P087	Piston pawl
191	239823	400P150	Lifting links (2 off)
192	221403	BLT0620	Set screw - M6 x 20
193	221314	400P069	Spacer
194	226373	400S005	Piston rod assy
195	221452	400P068	Crosshead pin
196	221344	WAS6005	Plain washer - M12
197	243460	SCR9000	Bolt - M12 x 16 - self locking (4 off)
198	203379	400P088, FST0010	Pawl pin and circlip
199	226374	400W010	Cylinder and base welding as /
200	--	NUT0007	Nut - piston retainer