



40 SERIES

FOUR POST LIFTS

**MODELS 410, 414 & 420
424, 430 & 434**

ILLUSTRATED SPARE PARTS LIST

ILLUSTRATED SPARE PARTS LIST

INDEX

Plate No.	Description	Page
1	General view of lift	2
2	Layout of cables and set screw	4
3	Wheel-free pawl assembly	6
4	Hydraulic hose assembly	8
5	Safety pawl lever and limit switch	8
6	Power pack assembly	10
7	Valve block assembly	12
8	Safety catch gear and single pulley assembly	14
9	Triple pulley assembly	16
10	Control panel	18
11	Power column and piston assembly	20
12	Mechanical locking assembly	24

NOTE: It is important to check model type and serial number before ordering spare parts.

IMPORTANT - Replacement Parts - It is essential for the safe and reliable performance of the product that only genuine TI Bradbury or TI Transervice replacement parts are fitted.

0372 - 376141
- - - 386236

REFER TO PLATE No.1

GENERAL VIEW OF LIFT

410W026.

Item No.	T service Stock No.	Bradbury No.	Description
1	239592	410W019	<i>Recessed</i> Chock ramp <i>3 stop</i>
2	204512	---	Chock ramp
3	226371	---	Power pack cover
4	239593	4149003	Pump reservoir
4a	239594	---	Wheel-free longitudinal beam - reverse off
5	204513	---	" " " " drive through
6	239595	---	Column cap
7	239596	---	Anti-toe trap aux. end, LH outer
8	204514	410W017	" " " " LH inner
3a	204515	420W012	Ramp plate 410/414
	204516)	400W025)	" " 420/424/430/434
	204517)	400W026)	
9a	204523)	420W011)	Bracket plate, RH/LH 410/414
	204524)	420W016)	
10	203480	410P018	Bracket plate, RH/LH 420/424/430/434
10a	203481	420P010	Pivot pin 410/414
11	239803	400W001	Pivot pin 420/424/430/434 <i>clw clip.</i>
12	239597	---	LH aux. column assy.
13	239804	414W001	Anti-toe trap aux. end centre outer
14	239598	---	Wheel-free beam weld assy. aux. end
15	239599	---	Anti-toe trap aux. end, RH outer
16	239805	410W003	" " " " RH inner
17	204518	410W015	Beam assy. aux end
18	204519	420W010	Ramp plate 410/414
19	239806	400W002	" " 420/424/430/434
20	239807	410W001	LH outer aux. column assy.
21	239808	420W001	Plain platform 410/414
	239809	430W001	" " 420/424
	239810	410W002	" " 430/434
	239811	400W001	Beam assy. power end
25	239800	---	RH outer aux. column assy.
26	239801	---	Anti-toe trap outer (non drive through lifts) power end
27	239802	---	Anti-toe trap LH inner power end
28	239812)	410W004)	" " " " RH " "
	239818)	(420W004))	
29	204520	400W017	Chock stop 410/414 (420/424/430/434)
30	204521	400P096	Pulley box cover, single
31	204522	---	" " " " triple
32	239813	400W003	Wheel-free box cover
--	219307	---	Power column assy.
			Lighting unit (not shown) optional

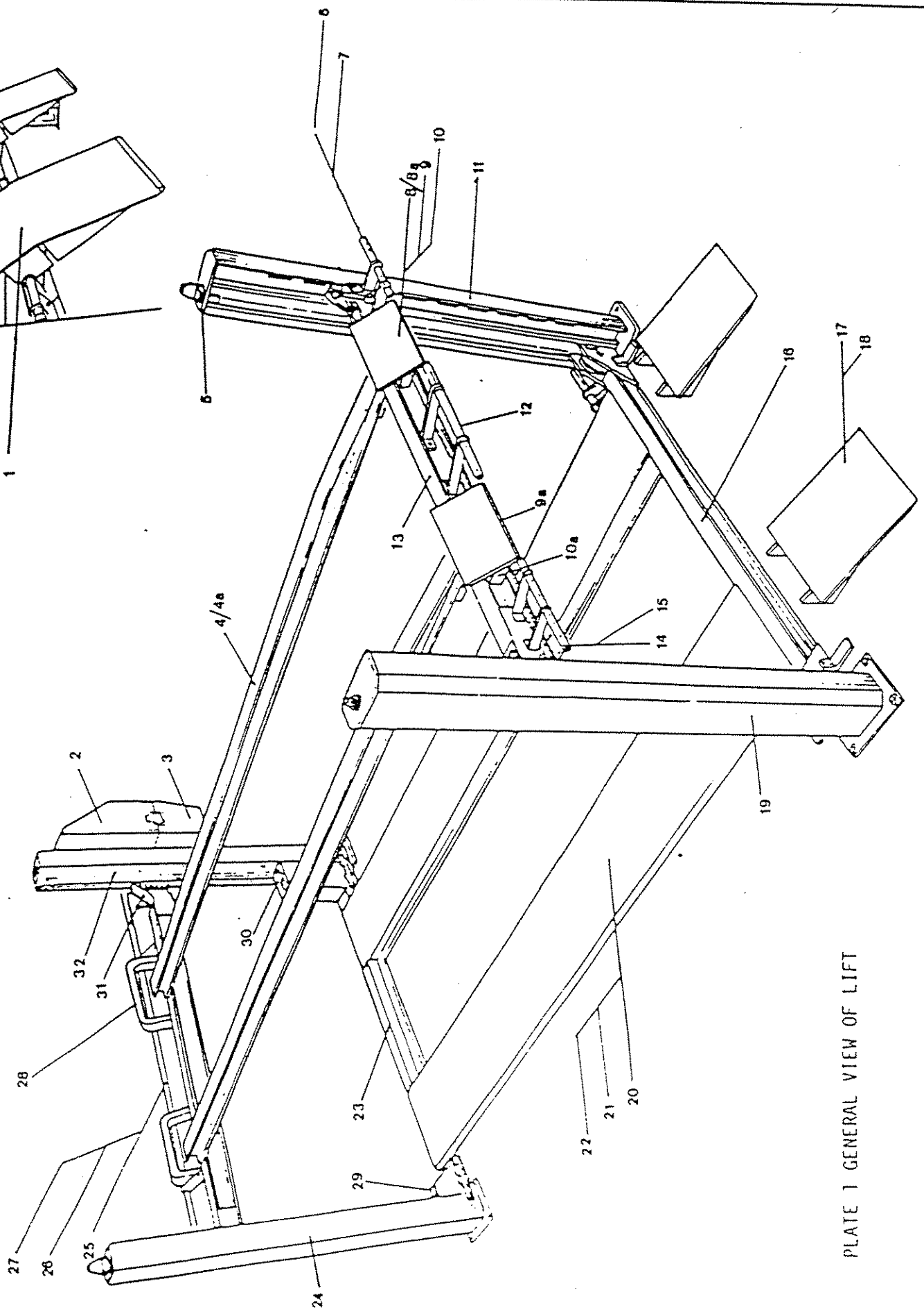


PLATE 1 GENERAL VIEW OF LIFT

REFER TO PLATE No.2

LAYOUT OF CABLES

Item No.	T'service Stock No.	Bradbury No.	Description
1	204521	400P096	Triple pulley box cover
2	222402	---	Platform pulley kit - contains: 4 x pulleys 2 x pins 3 x spacers short 2 x spacers long 2 x Taptite screws
3	204520	400W017	Single pulley box cover
4	217418)	4109004CA	Cable kits : Model 410 cables Model 414 cables Model 420 cables Model 424 cables Model 430 cables Model 434 cables
)	4109004CA	
	217419)	4209004CB	
)	4209004CB	
	217420)	4309002CC	
)	4309002CC	
NOTE:	Cables are only supplied in sets - and should only be fitted in sets.		
5	204525	410W007	Cable covers 410/414
6	204526	420W005	Cable covers 420/424/430/434
7	204527	400P047	Cable retaining anchor plate (2 off)
8	221594 222461	BXX0081	Knurled shank setscrew
		Kit.	

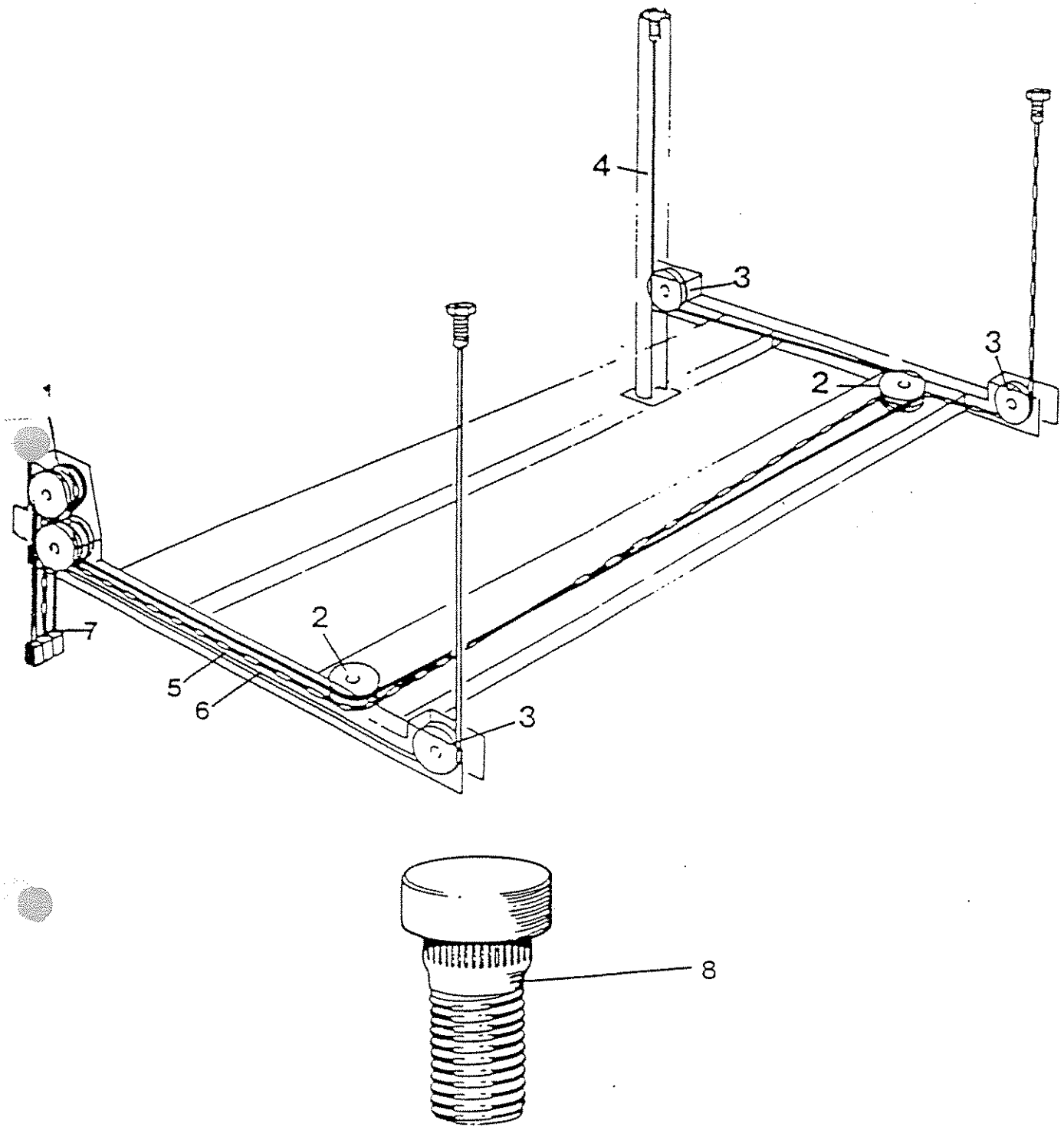


PLATE 2 LAYOUT OF CABLES & SETSCREW

REFER TO PLATE No.3

WHEEL-FREE PAWL ASSEMBLY

Item No.	T'service Stock No.	Bradbury No.	Description
1	239814	404W001	Wheel-free pawl
2	204528	BXX0111	Guide plate
3	221595	SCR4505	Taptite screw
4	221596	WAS6018	Washer
5	218338	MXX0030	Lever knob
6	203482	404P001	Pawl pin
7	218339	404P005	Operating lever
8	203483	404P017	Lever pin
8a	222455	404P006	Pin, washer and circlip kit
	239815	404P004	Operating rod
A	239804	414W001	Beam weld assy. aux. end
10P	239816	414W002	" " " power end
11	218340	404W002	Lever weld assy.
12	222453	WAS0006/FST001	Kit contains washer and circlip
13	221597	404W004	Adjustable pivot slot
14	221598	404W003	Adjustable pivot nut
15	222454	WAS0010/FST002	Kit contains washer and circlip
16	203484	FST2011	Pawl stop pin
17)	240318	BXX066	Guide block inner
)	240319	BXX067	" " outer
18	230338	SPR2004	Tension spring
19	203486	404P008	Guide roller
20	203485	404P007	Pawl retaining pin
21	239817	400W009	Rack assembly

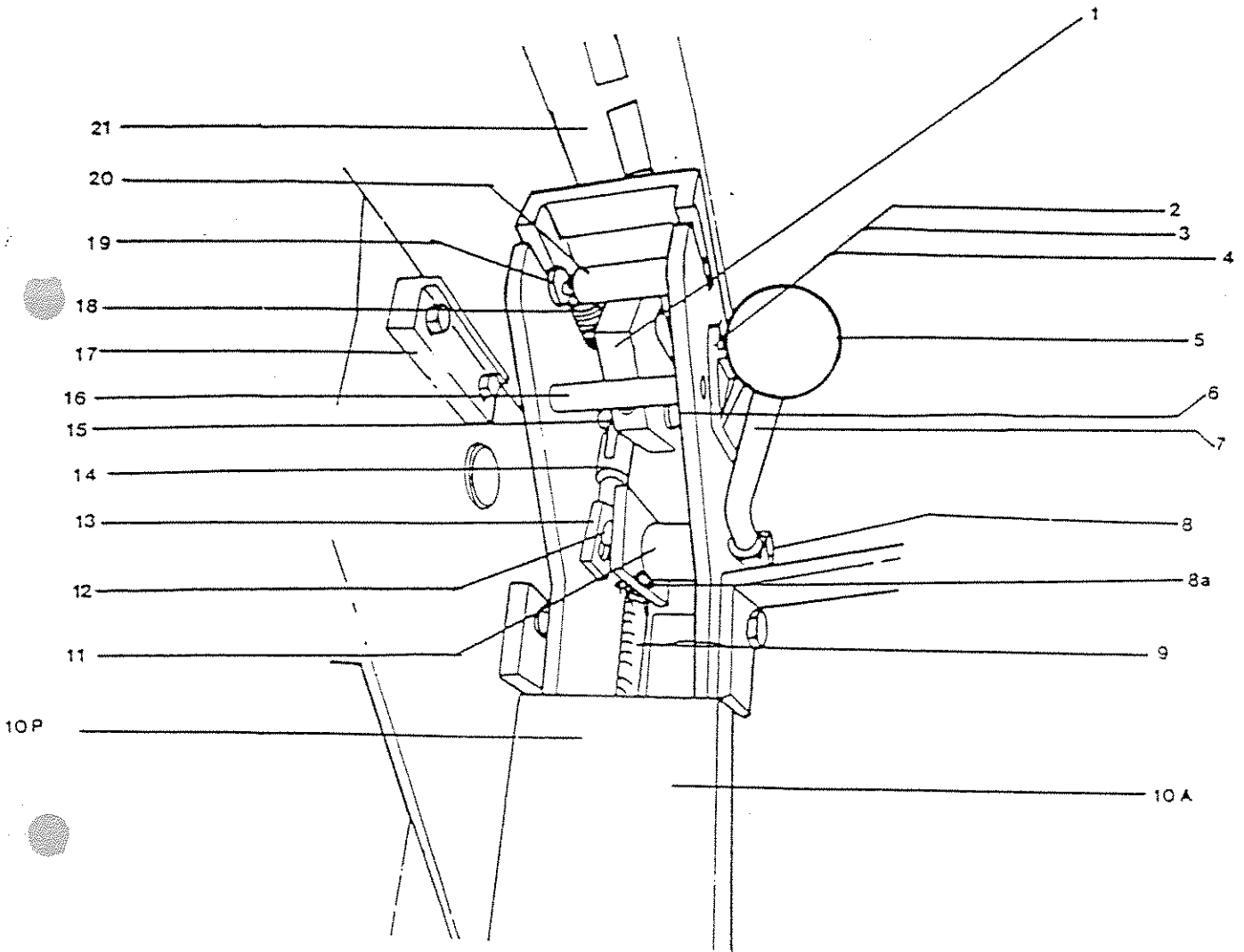


PLATE 3 WHEEL FREE PAWL ASSEMBLY

REFER TO PLATE No.4

HYDRAULIC HOSE ASSEMBLY

Item No.	T'service Stock No.	Bradbury No.	Description
1	227372	HXX3001	Hose assembly
2	215420	SLS6000	Dowty seal
3	202322	HXX0001	Surge valve adaptor

REFER TO PLATE No.5

SAFETY PAWL LEVER & LIMIT SWITCH

1	221599	---	Allen screw
2	204529	---	Pawl lever bracket
3	239819	---	Limit switch arm
4	246300	---	Spindle nut
5	218341	---	Knock-off lever
6	204530	---	Spring bracket
7	227373	---	Hose assembly
8	235370	---	Plunger
9	230339	---	Spring
10	203487	---	Roller
11	231335	SWI4002	Limit switch

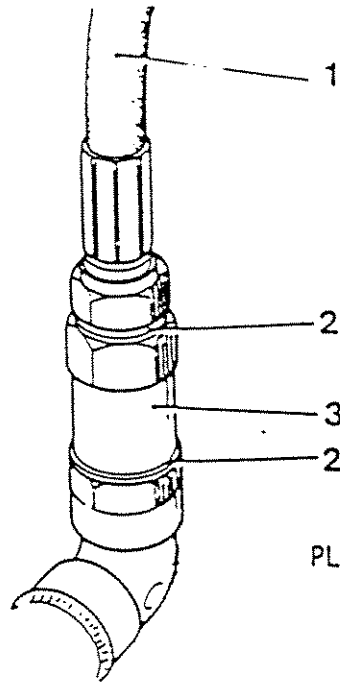


PLATE 4 HYDRAULIC HOSE ASSEMBLY

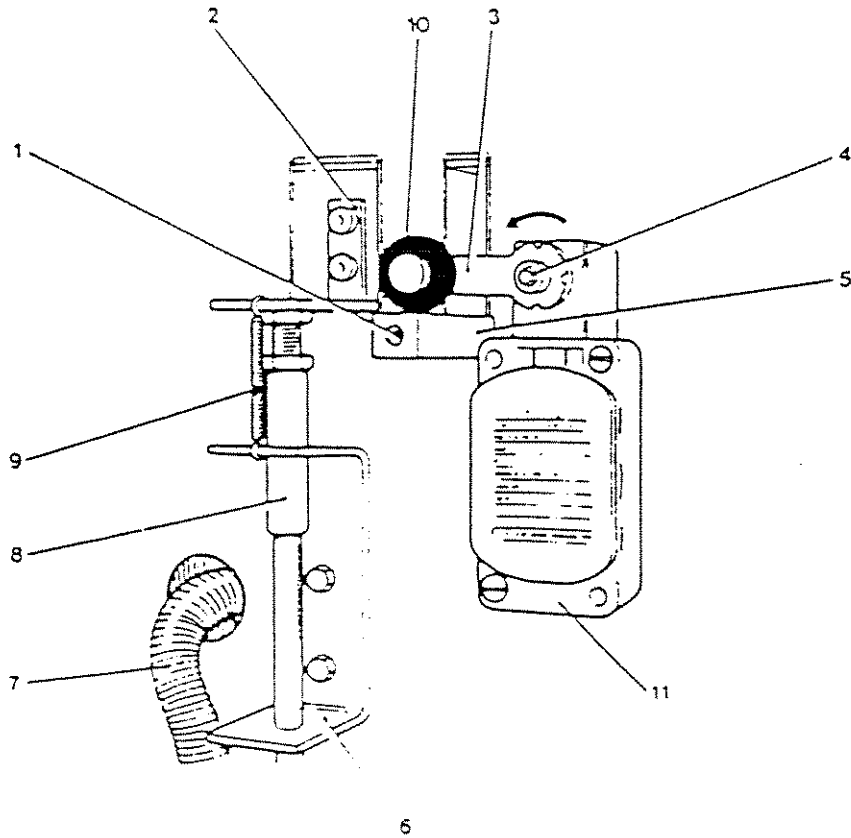


PLATE 5 SAFETY PAWL LEVER & LIMIT SWITCH

REFER TO PLATE No.6

POWER PACK ASSEMBLY

Item No.	T'service Stock No.	Bradbury No.	Description
1	231304	4121643	Solenoid
2)	224326	---	Motor 3 phase 380V 1.8kW
)	224327	---	Motor 3 phase 220V 1.5kW
)	224328	---	Motor 1 phase 220V 1.1kW
3	244017	4423507	Nut - M10 - Full
4	244145	4453654	Washer - M10 - Spring
5	217421	---	Coupling
6	204531	---	Motor mounting flange
7	244141	4443605	Washer - M10 - Plain
8	243467	4303047	Bolt - M10 x 50 - H/T
9	227326	4292830	Hose assy - short
10	202308	4011108	Straight adaptor assy
11)	243443	4363406	Screw - M6 x 20 - cap head
)	244128	4453652	Washer - M6 - spring
)	244125	4443603	Washer - M6 - plain
12	226310	4011106	Pump - Plessey C096X
13	213303	4292859	Strainer
14	202307	4011107	Elbow adaptor
15	227336	4292926	Plug
16	231357	TRN3001	Solenoid
17	231358	---	Contactator switch
18	231359	SWI1012	Contactator
19)	243466	4303041	Set screw - M4 x 20
)	244113	4443614	Washer - M4 - plain
)	244006	4433563	Locknut - M4
20	221496	4743516	Lid spacer
21	239423	0200458	Lid stay
22	215378	4292849	Grommet
23	235371	---	Air valve (mechanical locking)
24	227374	---	Pipe assembly (mechanical locking)

REFER TO PLATE No.7

VALVE BLOCK ASSEMBLY

Item No.	T'service Stock No.	Bradbury No.	Description
1	235372	--- <i>4005013</i>	Valve block assembly - complete
2	227375	---	Cylinder hose union
3	215421	---	Dowty seal
4	235376	---	Spring adjuster
5	230340	---	Spring
6	246303	---	Washer
7	203488	---	Ball
8	203489	---	Ball
9	246304	---	Washer
10	243084	---	Bolt - 6mm x 20
11	244013	---	Nut - 6mm - locking
12	246305	---	Pressure bolt
13	246301	---	Pin
14	230341	---	Spring
15	215421	--- <i>SL56001</i>	Dowty seal
16	246306	---	Bolt
17	215422	---	Dowty seal
18	215423	---	Dowty seal
19	227376	--- <i>H x 3002</i>	Pump union
20	213303	4292859	Strainer assy
21	203488	---	Ball
22	235373	---	Plunger
23	230340	---	Spring
24	235376	---	Spring adjuster
25	215421	---	Dowty seal
26	235377	---	Valve cap
27	235378	---	Valve cap
28	215421	---	Dowty seal
29	235374	---	Needle valve
30	243572	---	Bolt - 8mm/60mm
31	246302	---	Spacers (2 off)
32	204532	---	Lever bracket
33	244212	---	Locknuts - M8 - Nyloc
34	218342	---	Lever handle
35	218343	---	Knob
36	235375	--- <i>4006127</i>	Valve block (housing)

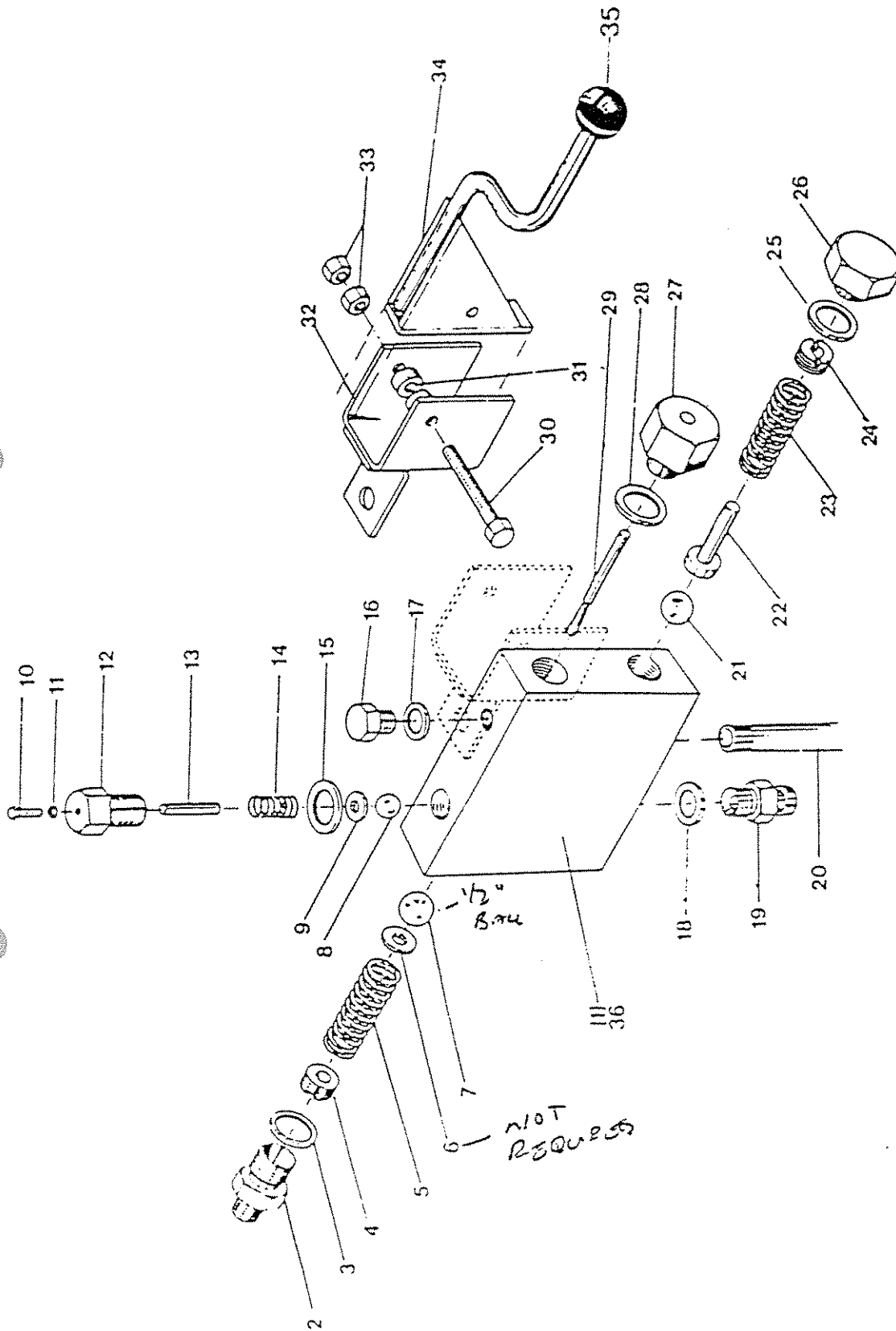


PLATE 7 VALVE BLOCK ASSEMBLY

REFER TO PLATE No.8

SAFETY CATCH GEAR & SINGLE PULLEY ASSEMBLY

Item No.	T'service Stock No.	Bradbury No.	Description
1	203490	400P080	Cable roller
2	246307	FST002	Circlip
3	246313	WAS0010	Washer (#3 off)
4	239820	400P071	Actuator rod
5	203491	400P072	Pawl pivot pin
6	230342	SPR006	Spring
7	246314	WAS0012	Washer
8	246308	FST1002	Split pin
9)	246309	400P059	Spacers - long
)	246310	400P060	Spacers - short
10	203492	400W014	Pulley pin
11	246311	SCR4506	Tap-tite screws
12	217422	410S001	Single pulley & bush
13)	239821	400W020	Safety pawl - R/H
)	239822	400W019	" " L/H
14	246312	---	Circlip
15)	204533	404P021	Beam bracket - L/H
)	204534	404P011	" " R/H
5A	246321		CIRCLIP 2 OFF
16	240318		GUIDE BLOCK INNER.
17	240319		----- OUTER
18	239811		LADDER SAFETY RACK.

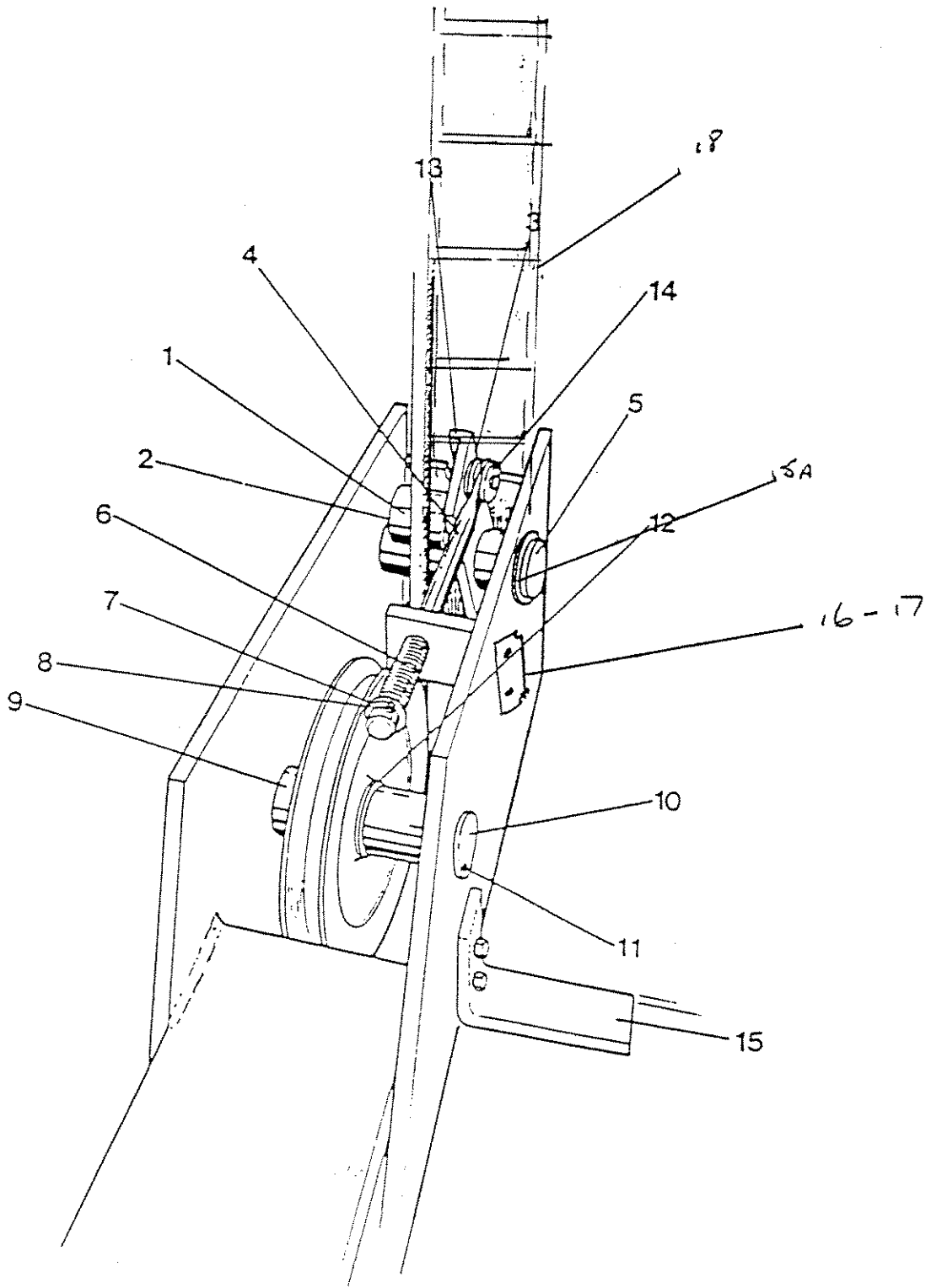


PLATE 8 SAFETY CATCH GEAR & SINGLE PULLEY ASSEMBLY

REFER TO PLATE No.9

INSTALLATION OF TRIPLE PULLEYS

Item No.	T'service Stock No.	Bradbury No.	Description
1	203493	400W015	Pulley pins
2	246315	400P058	Pulley spacers
3	246311	SCR4506	Taptite screws
4	203484	FST2011	Guide pin
5	---	410S002	Triple pulleys
6	240320	400P094	Cable roller guide
7	203494	400P095	Cable roller spindle
5	217422		SINGLE PULLY
5	217423		LARGE HOLE
5	217424		DOUBLE PULLY LARGER DIA.
5	217425		SMALL DIA.

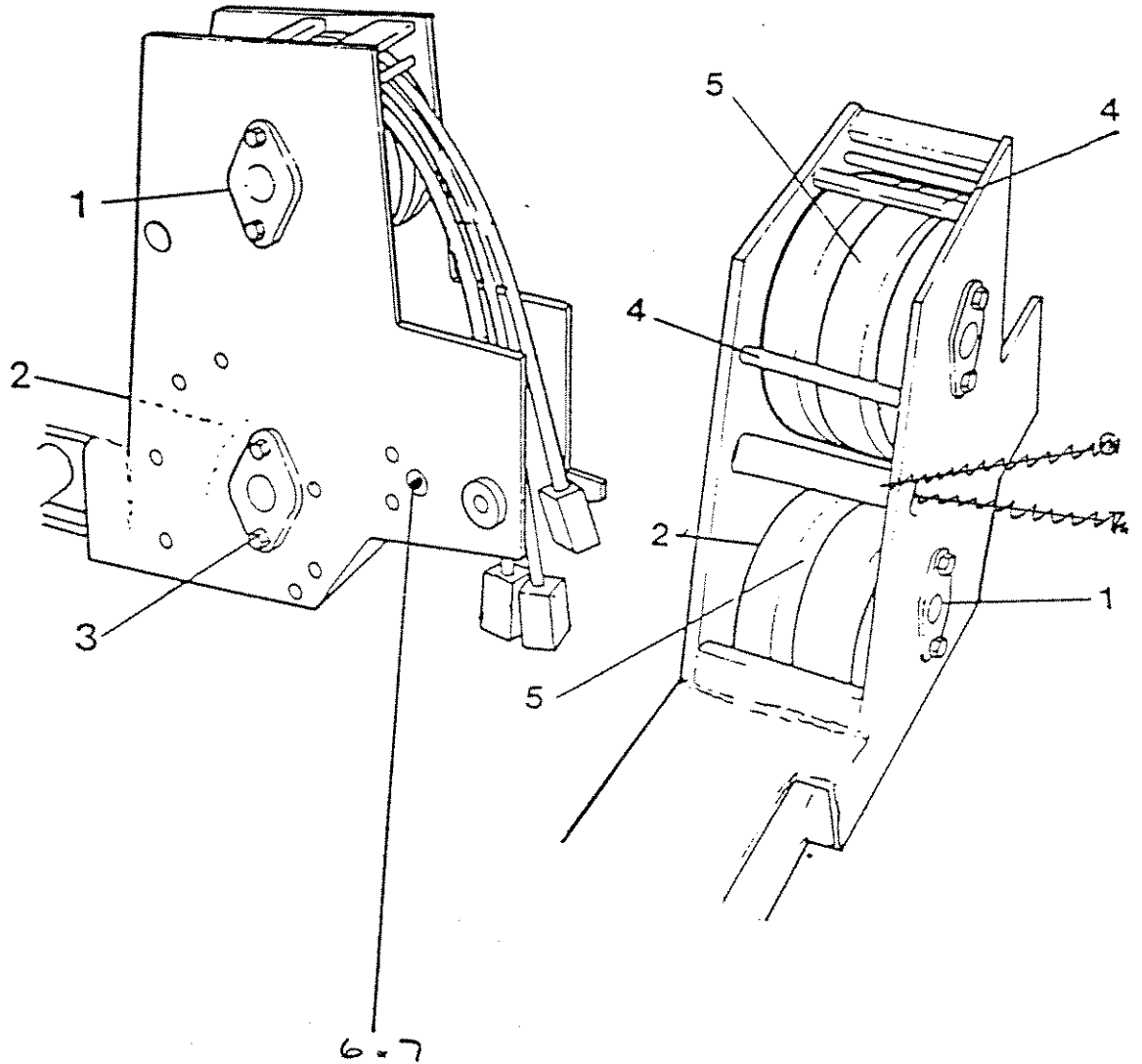


PLATE 9 TRIPLE PULLEY BOX ASSEMBLY

REFER TO PLATE No.10

CONTROL PANEL

Item No.	T'service Stock No.	Bradbury No.	Description
1	231560	SWI5500	Button assy - UP
2	218342	See Plate 7	Lever assy
3	231561	SWI0501	Button assy - MASTER
4	231562	---	Lighting switch (optional)
5	231563	---	Anti-tilt switch
6	237329	---	Panel assy

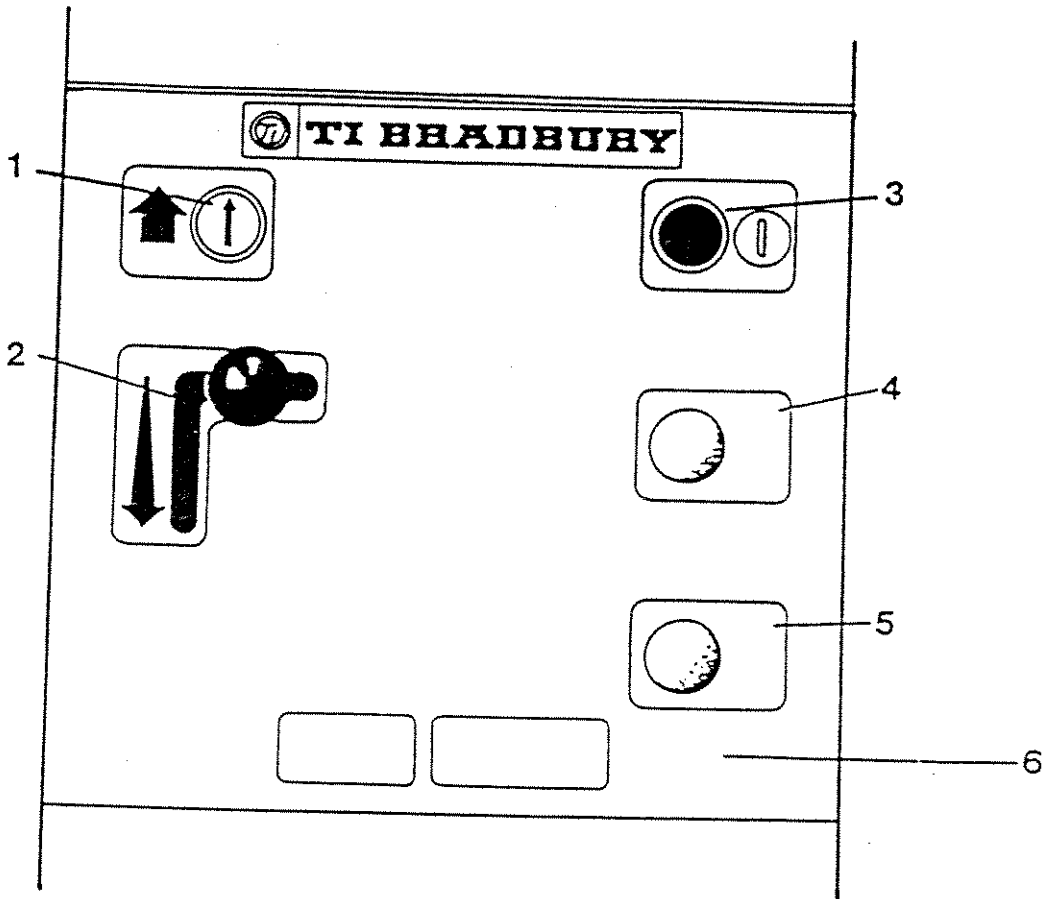


PLATE 10 CONTROL PANEL

REFER TO PLATE No.11

POWER COLUMN & PISTON ASSEMBLY

Item No.	T'service Stock No.	Bradbury No.	Description
1	226372	400W018	Piston rod RAM assy
2	222456	SLS2005	Seal kit
3	222456	SLS2005	" " - as item 2
4	246316	SLS8004	Retainer
5	246317	WAS007	Spring washer
6	246318	BLT2050	Piston nut
7	221338	---	Set screw - M6 x 12 (2 off)
8	244128	---	Washer - M6 - spring
9	244125	---	Washer - M6 - plain
10	226332	---	Piston rod guide
11	239396	---	Piston pawl
12	239823	400P150	Lifting links (2 off)
13	221403	---	Set screw - M6 x 20
14	221314	---	Spacer
15	226373	400G002	Piston rod assy
16	221452	---	Crosshead pin
17	221344	---	Plain washer - M12
18	243460	---	Bolt - M12 x 16 - self locking (4 off)
19	221344	---	Plain washer - M12 - as item 17
20	243460	---	Bolt - M12 x 16 - self locking (4 off) as item 18
21	221492	---	Split pin - 1/8" x 1.1/4"
22	203379	---	Pawl pin
23	226374	---	Cylinder and base assy

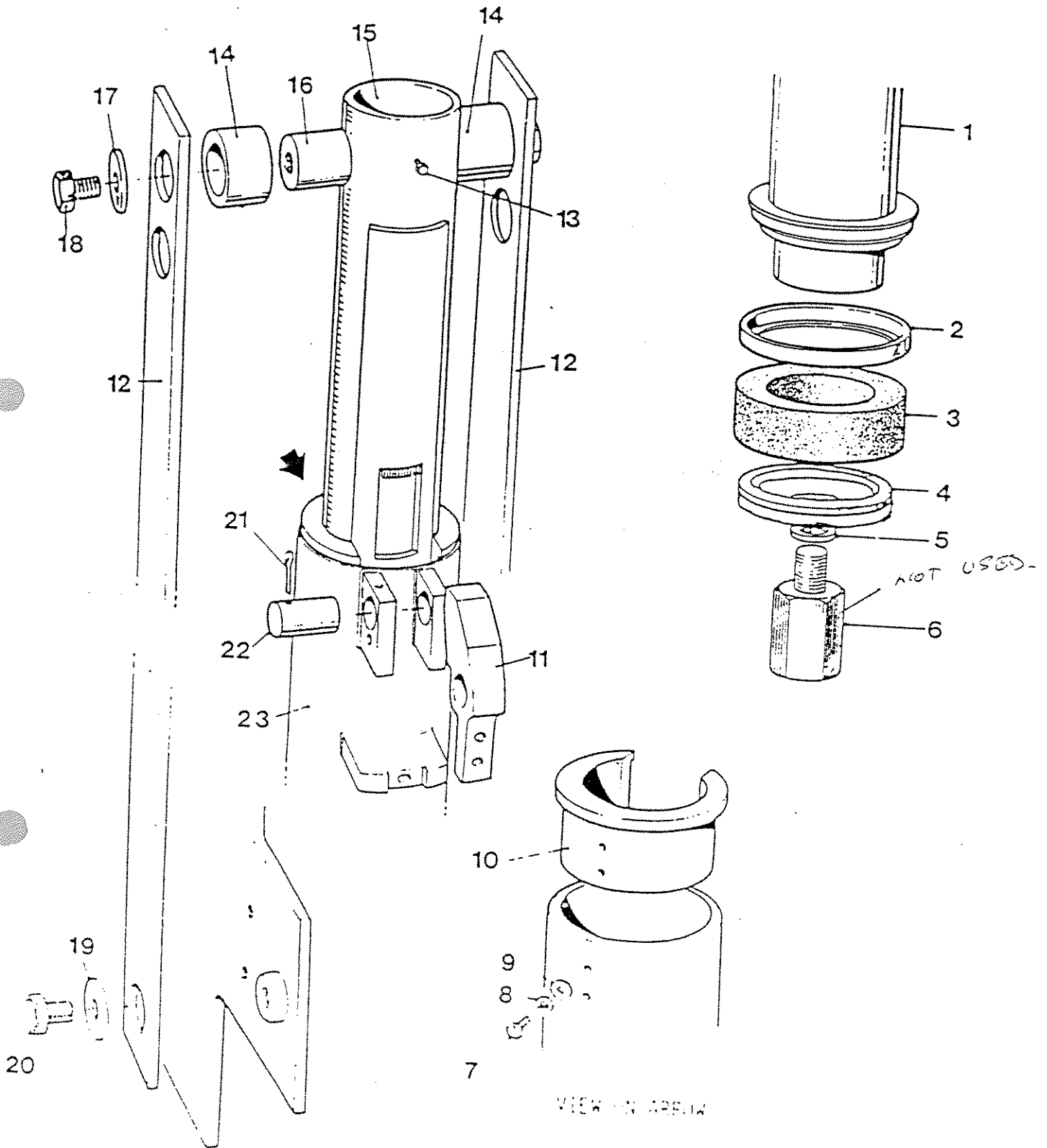


PLATE 11 POWER COLUMN & PISTON ASSEMBLY



BRADBURY

FKI Bradbury Ltd.,
Springwood Industrial Estate,
Rayne Road, Braintree,
Essex, CM7 7ET, England.
Tel: Braintree (0376) 20623
Telex: 98361